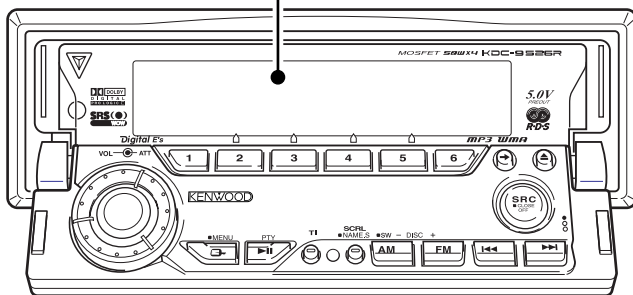


KDC-9026R
KDC-PSW9527
KDC-W9027
KDC-X979

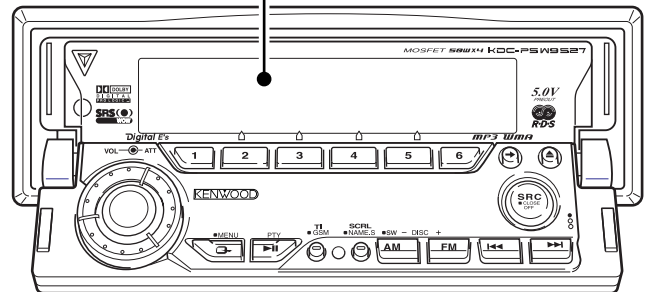
SERVICE MANUAL

Panel assy
KDC-9026R (A64-3236-11)



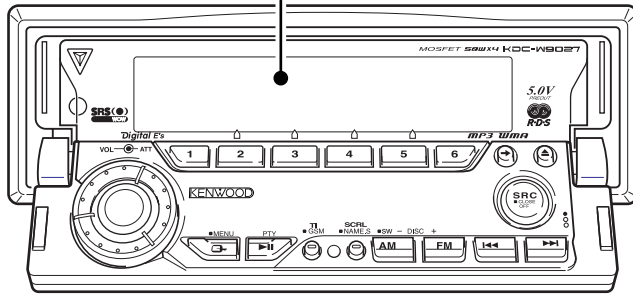
KDC-9026R

Panel assy
KDC-PSW9527 (A64-3237-11)



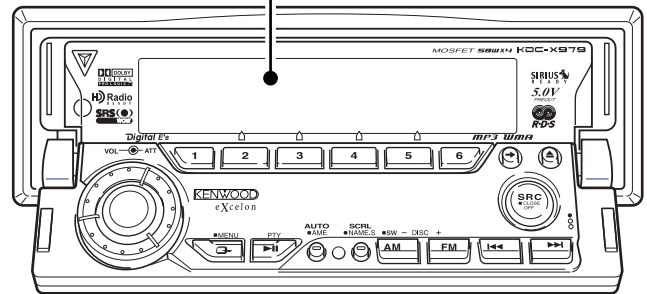
KDC-PSW9527

Panel assy
KDC-W9027 (A64-3238-01)



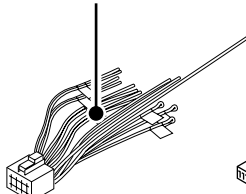
KDC-W9027

Panel assy
KDC-X979 (A64-3235-11)

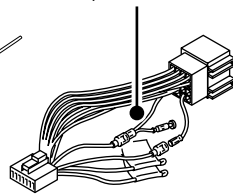


KDC-X979

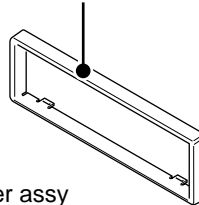
* DC cord
(E30-6294-05)



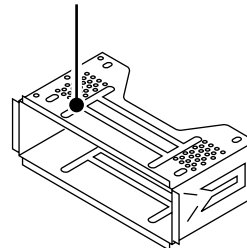
* DC cord
(E30-4942-05)



* Escutcheon
(B07-3078-01)
(B07-3079-01)



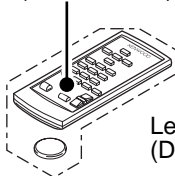
Mounting hardware assy
(J21-9823-03)



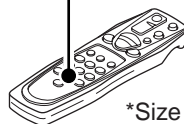
* Antenna adaptor
(T90-0552-05)



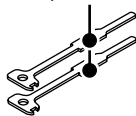
*Remote controller assy
(A70-2026-05) : RC-420



*Remote controller assy
(A70-2040-05) : RC-505



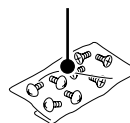
Lever
(D10-4674-04) x 2



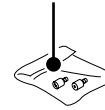
*Size AA Battery
(Not Supplied)



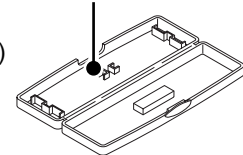
*Screw set
(N99-1723-05)



Screw
(N99-1734-05)



Plastic cabinet assy
(A02-2731-13)



TDF PANEL INFORMATION

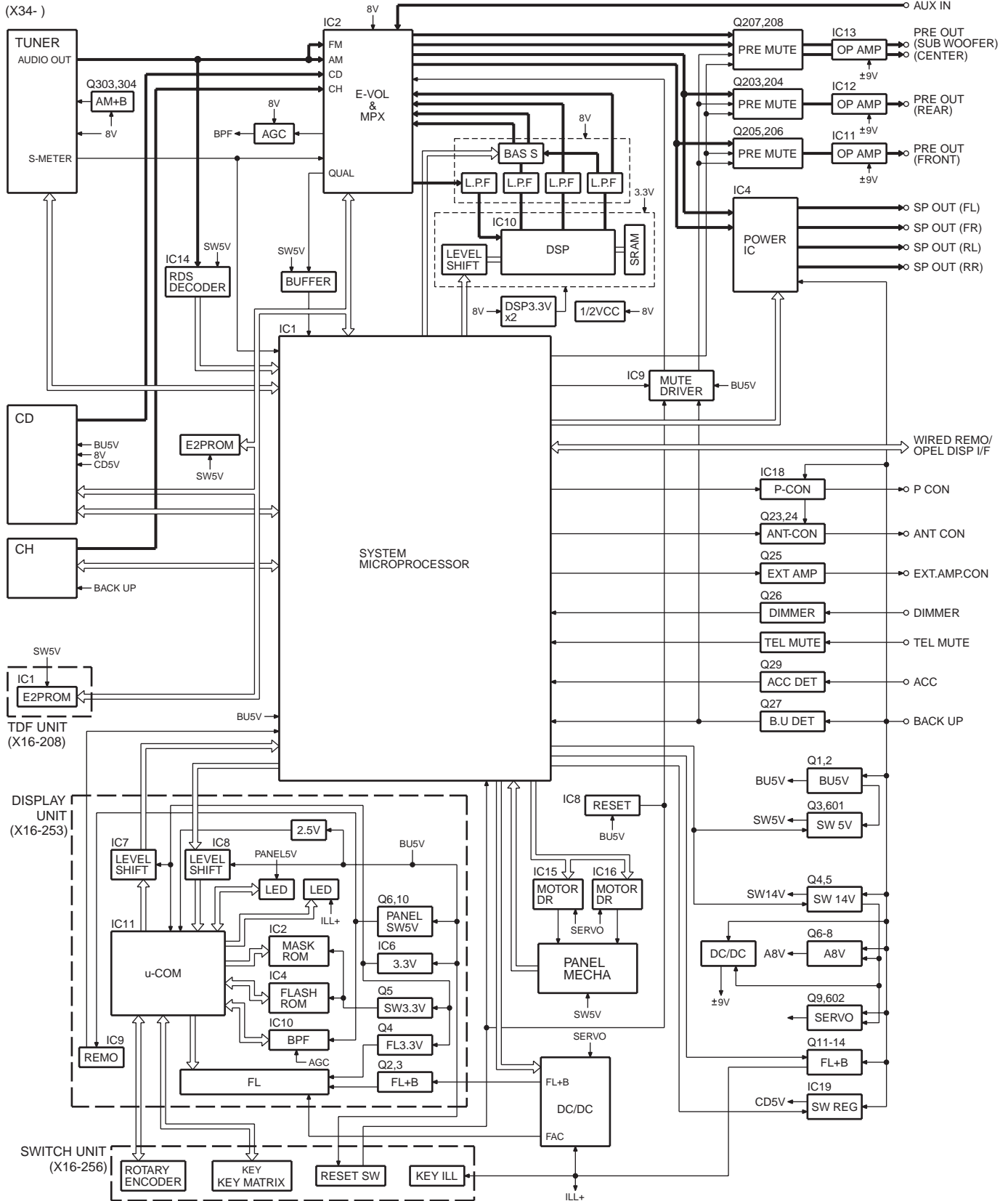
MODEL	PARTS NO.	PANEL NAME
KDC-9026R		TDF-M9000
KDC-PSW9527	Y33-1790-60	TDF-M9000
KDC-X979		TDF-M9000
KDC-W9027	Y33-1790-61	TDF-M7000

* Depends on model. Refer to the parts list.



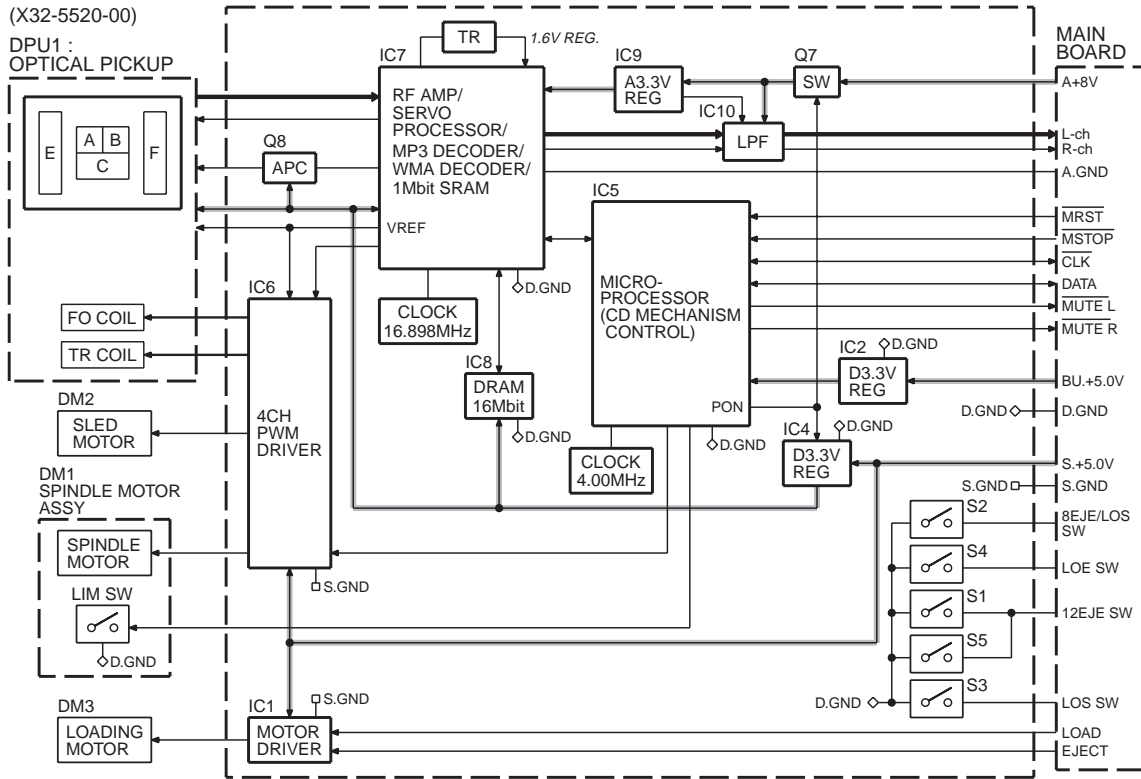
BLOCK DIAGRAM

● ELECTRIC UNIT



BLOCK DIAGRAM

● CD PLAYER UNIT



COMPONENTS DESCRIPTION

● SUB CIRCUIT UNIT (X16-2080-10)

Ref No.	Application / Functions	Operation / Condition / Compatibility
IC1	E2PROM	E2PROM for security

● DISPLAY UNIT (X16-2530-10/11)

Ref No.	Application / Functions	Operation / Condition / Compatibility
IC1	Panel microprocessor	Panel control microprocessor
IC2	ROM IC	Graphic ROM
IC3	Flash ROM IC	For Display customize memory IC
IC4	AVR	For 3.3V power supply
IC5	AVR	For 2.5V power supply
IC6	Buffer IC	Level shift buffer IC (5V→3.3V)
IC7	Buffer IC	Level shift buffer IC (3.3V→5V)
IC8	Remote control IC	For Remote control sensor
IC9	Logic IC	Control for FL contrast
IC10	Analog IC	Spectrum analyzer IC
Q1	3.3V Regulator	While PAN5V is applied when 3.3V regulator output is +3.3V
Q2	2.5V Regulator	While PAN5V is applied when 2.5V regulator output is +2.5V
Q3,4	FL +B SW	FL +B (VDD1) is turned on when Q3 base level goes H

COMPONENTS DESCRIPTION

Ref No.	Application / Functions	Operation / Condition / Compatibility
Q5	3.3V SW	SW3.3V is turned on when Q5 base level goes L
Q6,200	FL 3.3V SW	FL +3.3V (VDD1) is turned on when Q200 base level goes H
Q7,8	Remote control ON SW	The power supply of IC8, 10 is turned on when Q10 base level goes H
Q9	FL BLK SW	VFD is turned on when Q9 base level goes H
Q10	Display blackout LED SW	Green LED is turned on when Q10 base level goes H
Q11	Red LED SW	Red LED is turned on when Q11 base level goes H

● SWITCH UNIT (X16-2560-10)

Ref No.	Application / Functions	Operation / Condition / Compatibility
Q1	DSI LED SW	DSI LED blinks when Q1 base level goes H/L
Q2	KEY Illumination SW (Green)	KEY Illumination SW "ON" when the Q2 base level goes H
Q3	KEY Illumination SW (Red)	KEY Illumination SW "ON" when the Q3 base level goes H
Q4	KEY Illumination SW (Blue)	KEY Illumination SW "ON" when the Q4 base level goes H

● CD PLAYER UNIT (X32-5520-00)

Ref No.	Application / Functions	Operation / Condition / Compatibility
IC1	Motor driver	Loading & Eject motor driver
IC2	AVR	BU3.3V AVR
IC4	AVR	SW3.3V AVR (When CNTL is goes H, IC3 is actives)
IC5	Mechanism control micro processor	-
IC6	PWM driver	Focus, Tracking coil, Feed and Spindle motor driver IC
IC7	DSP	CD signal processor, RF amp, Servo control, MP3 & WMA decoder
IC8	EDO DRAM	Date buffer (16MB)
IC9	AVR	Audio 3.3V AVR (When P-ON level goes H, Q12, 13 are turned ON)
IC10	LPF	Audio LPF
Q1	Switching TR	When MRST goes L, Q1 is turned ON
Q2	Switching TR	When Q1 goes ON, Q2 is turned ON
Q6	Switching TR	When Q7 goes ON, Q6 is turned ON
Q7	Switching TR	When P-On goes H, Q7 is turned ON
Q8	APC	Auto power control & A 5V constant current circuit
Q9	Driver	1.6V AVR driver
Q10	Switching TR	Loading & Eject motor drive voltage selector
Q11	Switching TR	Guarantee of proper operation for between IC's Low level voltage
Q12	Switching TR	When Q13 base level goes H, Q12 is turned ON
Q13	Switching TR	When P-On goes H, Q13 is turned ON

● ELECTRIC UNIT (X34-3050-11/21, X34-3052-71/72)

Ref No.	Application / Functions	Operation / Condition / Compatibility
IC1	System control IC	System control microprocessor
IC2	E-VOL & tuner IC	E-VOL. FM/AM tuner & stereo decoder
IC3	Power supply IC	For A8V AVR
IC4	Audio power IC	Audio power amplifier
IC7	Power supply IC	-9V AVR (For 4.5V Pre-out)
IC8	Reset IC	When BU5V line voltage is less than 3.5V, this IC output line is "L"
IC9	Muting logic IC	Control for MUTE, P-ANT & RESET muting
IC10	Buffer IC	For spectrum analyzer
IC11~13	OP AMP	For 4.5V Pre-out
IC14	RDS decoder	Decode for RDS signal

COMPONENTS DESCRIPTION

Ref No.	Application / Functions	Operation / Condition / Compatibility
IC15,16	Motor driver	Control for Panel mechanism motor
IC18	P-CON IC	Power control IC
IC19	Power supply IC	Switching regulator IC for CD4.7V
IC20	Analog SW	Logic IC for muting control
Q1,2	BU 5V AVR	While BU is applied when BU5V regulator output is +5V
Q3,601	SW5V AVR	When Q601 base level goes H, SW5V regulator output is +5V
Q4,5	SW14V AVR	When Q5 base level goes H, SW14V regulator output is +14V
Q6~8	Audio 8V AVR	When Q6 base level goes H, A8V regulator output is +8.3V
Q9,602	Servo +B AVR	When Q602 base level goes H, S+B regulator output is +7.5V
Q11~14	Illumination & DC/DC +B AVR	When Q11 base level goes H, AVR output is +9.2V
Q15,16	Audio 10.5V AVR	When Q16 base level goes H, AVR output is +10.5V
Q17~19	Pre Amp & -9V AVR	Q18, 19 work as differential amplifier, Q17 work as driver and -9.1V is supplied to OP AMP for Pre-out
Q20~22	Pre Amp & +9V AVR	Q20, 22 work as differential amplifier, Q21 work as driver and +9.4V is supplied to OP AMP for Pre-out
Q23,24	P-ANT SW	When Q23 base level goes H, P-ANT SW output is +14V
Q25	Buffer	EX amp control buffer
Q26	Small lamp det. SW	When Q26 base level goes H, Q26 turned ON
Q27	BU detector	When Q27 base level goes H, Q27 turned ON
Q29	ACC detector	When Q29 base level goes H, Q29 turned ON
Q30,31	Muting driver	When base level goes L, muting driver is turned ON
Q32,33	Surge DET.	When Q32 base level goes H, Q32, 33 are turned ON
Q34	Muting driver	When Q34 base level goes L, muting driver is turned ON
Q201	Buffer	Noise detect buffer amp
Q202	E-VOL muting SW	When Q202 base level goes H, muting SW is turned ON
Q203~208	Pre-out muting SW	When base level goes H, Pre-output is muted
Q210	AGC	For AGC for spectrum analyzer
Q303,304	AM +B SW	When Q303 base level goes H, AM +B is out to tuner unit

● ELECTRIC UNIT (X34-3060-10, X34-3062-71)

Ref No.	Application / Functions	Operation / Condition / Compatibility
IC1	OP AMP	Buffer amp for ADC input (DSP Lch)
IC2	OP AMP	Buffer amp for ADC input (DSP Rch)
IC3	OP AMP	LPF for DAC output (DSP Front)
IC4	OP AMP	LPF for DAC output (DSP Rear)
IC5	OP AMP	LPF for DAC output (DSP Sub & Center)
IC6	OP AMP	Sub output amp
IC7	Analog SW	Bus management SW (Dolby prologic II)
IC8	OP AMP	Bus management accumulator (Dolby prologic II)
IC9	OP AMP	Reference AVR
IC10	DSP	Audio DSP (24bit 2ch ADC & 6ch DAC)
IC11	SRAM	For DSP
IC12	Buffer IC	Level shift buffer IC(5V→3.3V)
IC13	AVR	D 3.3V AVR (For DSP)
IC14	AVR	A 3.3V AVR (For DSP)
Q1	AVR	3.3V regulator
Q2	AVR	3.3V regulator

MICROCOMPUTER'S TERMINAL DESCRIPTION

● SYSTEM MICROPROCESSOR : 703030YGCJ07-A (X34-305 : IC1)

Pin No.	Pin Name	I/O	Description / Processing Operation	Fig.
1	CD SDA	I/O	CD mechanism, IC2, IC5, ROM correction DATA line	
2	TUN SCL	I/O	Clock input/ output to Tuner front-end	
3	RDS AFS M	I/O	RDS control for MPX PLL hold	
4	NC	-	NC	
5	CD SCL	I/O	CD mechanism, IC2, IC5, ROM correction CLOCK line	
6	EVDD	-	VDD 5V	
7	EVSS	-	GND	
8	RDS AFS L	I/O	RDS control for MPX PLL hold	
9	PWIC BEEP	O	BEEP audio output terminal	
10	REMO	I	Remote control input terminal	
11	BMS	O	PL2 BMS control terminal (H : BMS ON, L : BMS OFF)	
12	DSP RQ	O	DSP chip select output terminal (L : Active)	
13	DSP SI	O	DSP serial data output terminal	
14	DSP CLK	O	DSP serial data clock output terminal	
15	DSP CODEC RST	O	Reset for DSP (AD/DA & DSP, L : RESET)	
16	DSP INT RST	O	Reset for DSP (System reset, L : RESET)	
17	DSP MUTE	O	DSP input muting control (L : Mute ON, H : Mute OFF)	
18	TEST	-	NC (GND)	
19	PWIC MUTE	O	Audio power IC muting control terminal (POWER OFF, ALL OFF, TEL MUTE : L)	
20	P STBY	O	Audio power IC Stand-by terminal (POWER IC ON, ALL OFF : H, POWER IC OFF : L)	
21	P CON	I/O	Power control terminal (POWER ON : H, POWER OFF, ALL OFF : Hi-Z)	
22	DIAG	I	Over voltage/Over current detection terminal (Normal : H, Bad condition : L)	
23	MUTE	O	Muting control terminal (ON : OPEN, OFF : L)	
24	MUTE PRE R	O	PREOUT (Rch) muting control terminal	
25	MUTE PRE L	O	PREOUT (Lch) muting control terminal	
26	EXT AMP CONT	O	External amplifier control terminal	
27	BU DET	I	Momentary power dropped detection terminal (No Backup, Momentary power dropped : H, Backup : L)	
28	ACC DET	I	ACC detection terminal (With ACC : L, Without ACC : H)	
29	ILLUMI DET	I	Small lamp detection terminal (ON : L, OFF : H)	
30	ANT CONT (TYPE2)	I/O	Antenna control/ Destination select terminal (TUNER ON : H)	
31	RESET	I	Reset input terminal	
32,33	XT1/XT2	-	Sub clock (32.768kHz)	
34	REGC	-	Connect to 1u capacitor	
35,36	X2/X1	-	Main clock (20MHz)	
37	VSS	-	GND	
38	VDD	-	AVR 5V	
39	CLKOUT	-	NC	
40	LX REQ M	O	Communication request to external slave unit (Request : L)	
41	LX MUTE	I	Mute request from external slave unit (MUTE : H)	

MICROCOMPUTER'S TERMINAL DESCRIPTION

Pin No.	Pin Name	I/O	Description / Processing Operation	Fig.
42	LX CON	O	External slave unit (ON : H, OFF : L)	
43	LX RST	O	Reset output to external slave unit (Normal : L, After system reset : H 400ms or more and then L)	
44	P ON	I/O	SW14V, SW5V control terminal (POWER ON : H, POWER OFF : Hi-Z)	
45	PON ILL	I/O	FL, illumination control terminal (ON : H, OFF : Hi-Z)	
46	PON CD	O	CD5V output terminal (CD : H, Except CD source : L)	
47	FAC1	O	FAC motor driver control terminal (Pulls cycle 16ms)	
48	NC	-	NC	
49,50	TYPE0/TYPE1	I	Destination select terminal	
51	PON PAN	O	Panel 5V control terminal (ON : H, Momentary power dropped : Hi-Z)	
52	DSI	I/O	DSI control (ON : L, OFF : Hi-Z)	
53	MC REQ	O	Communication request to panel microprocessor	
54	PAN RST	O	Reset output to panel microprocessor (Normal : H, Reset, Momentary power dropped : L)	
55	DVDD	-	AVR 5V	
56	DVSS	-	GND	
57	SC CON	O	Panel microprocessor control terminal (POWER OFF, ACC OFF : L)	
58	CD MRST	O	Reset output to CD mechanism (Normal : H, Reset : L)	
59	CD MSTOP	O	Stop request to CD mechanism (STOP : L, CD : H)	
60	CD LOE SW	I	CD DOWN SW detection terminal (CD disc chucking : H)	
61	CD EJECT	O	CD mechanism loading/ eject control	
62	CD LOAD	O	CD mechanism loading/ eject control	
63	FPM MOTOR B	O	FPM mechanism (Slider) control terminal	1
64	FPM MOTOR F	O	FPM mechanism (Slider) control terminal	1
65	FPM MOTOR O	O	FPM mechanism (Angle) control terminal	1
66	FPM MOTOR C	O	FPM mechanism (Angle) control terminal	1
67	OPEL DATA	I/O	External display DATA terminal	
68	OPEL CLK	I/O	External display CLK terminal	
69	OPEL CE	I/O	External display chip enable terminal	
70	CD MUTE R	I	Mute request from CD mechanism (Rch ON : L)	
71	AVDD	-	AVR 5V	
72	AVSS	-	GND	
73	AVREF	I	Connect to P-ON(45PIN)	
74	CD MUTE L	I	Mute request from CD mechanism (Lch ON : L)	
75	PAN DET	I	PANEL, E2PROM detection terminal (With panel : L, Without : H)	
76	LINE MUTE	I	PHONE detection terminal (TEL MUTE : 1V or less, NAVI MUTE : 2.5V or more)	
77	FPM SW4	I	FPM mechanism position detect/ CD Mechanism detection terminal (3.75V or more : No mechanism, 1.25V or more : H, Less than 1.25V : L)	1
78	FPM SW1	I	FPM mechanism position detect terminal	1
79	FPM SW2	I	FPM mechanism position detect terminal	1
80	FPM SW3	I	FPM mechanism position detect terminal	1
81	FPM PHOUT	I	FPM mechanism position detect terminal (2.2V or more : H)	1

MICROCOMPUTER'S TERMINAL DESCRIPTION

Pin No.	Pin Name	I/O	Description / Processing Operation	Fig.
82	TUN SMETER	I	S meter detection terminal	
83	RDS NOISE	I	FM noise detection terminal	
84	TUN IFC OUT	I	Front end IFC OUT input terminal (Receiving station : 2.5V or more)	
85	PWIC DC DET	I	Audio power IC DC offset detection (H : OK, L : ERROR)	
86	CD 8EJE	I	8cmDISC detection terminal (8cmDISC : L)	
87	RDS CLK	I	RDS decoder clock input terminal	
88	LX REQ S	I	Receive request from external slave unit (Request : L)	
89	SC REQ	I	Communication request from panel microprocessor	
90	CD LOS SW	I	LOADING SW detection terminal (LOADING start, POWER OFF : L)	
91	CD 12EJE	I	12cmDISC detection terminal (12cmDISC, POWER OFF : L)	
92	R QUAL	I	RDS decoder QUAL input terminal	
93	R DATA	I	RDS decoder DATA input terminal	
94	LX DATA S	I	Data input from external slave unit	
95	LX DATA M	O	Data output to external slave unit	
96	LX CLK	I/O	Clock input / output with external slave unit	
97	PAN RX	I	Data input from panel microprocessor	
98	PAN TX	O	Data output to panel microprocessor	
99	PON AM	I/O	AM+B (AM operation : H)	
100	TUN SDA	I/O	Clock input/ output to Tuner front-end	

Fig.1 FPM motor control

SLIDE		FPM mechanism operation
FPM MOTOR B	FPM MOTOR F	
L	L	Standby
H	L	Backward operation
L	H	Forward operation
H	H	Brake

ANGLE		FPM mechanism operation
FPM MOTOR O	FPM MOTOR C	
L	L	Standby
H	L	Angle open direction
L	H	Angle close direction
H	H	Brake

MICROCOMPUTER'S TERMINAL DESCRIPTION

● PANEL MICROPROCESSOR : 703132GJ011-A (X16-253 : IC1)

Pin No.	Pin Name	I/O	Description / Processing Operation
1~7	D14~D8	I/O	External ROM data input/output terminal
8	3.3VDD	-	AVR 3.3V
9	VSS	-	GND
10~17	D7~D0	I/O	External ROM data input/output terminal
18	FL GCP1	O	FL bright control terminal
19	SC REQ	O	Communication request to system microprocessor (H : Request)
20	MC REQ	I	Request from system microprocessor (H : Request)
21	SC CON	I	Panel microprocessor control (H : While operation)
22	FL BLK	O	Display control SW for FL driver (H : Display ON, L : Display OFF)
23	2.5V VDD	-	AVR 2.5V
24	VSS	-	GND
25~27	KS5~KS3	O	Key scan output terminal
28,29	TDI/TDO	-	NC
30,31	KS2,1	O	Key scan output terminal
32	TRST	I	NC
33	ROTARY CCW	I	Volume input terminal
34	ROTARY CW	I	Volume input terminal
35,36	TMS/TCM	O	NC
37	3.3VDD	-	AVR (3.3V)
38	VSS	-	GND
39~42	KI1~KI4	I	Key return input terminal
43	FLGCP2	O	FL bright control terminal
44	NC	-	NC
45	SYS TX	I	DATA input from system microprocessor
46	SYS RX	O	DATA output to system microprocessor
47	FL CLK3	O	Clock output to FL driver
48	KI5	I	Key return input terminal (SRC, OPEN, EJECT interrupt port)
49	FL DATA3	O	DATA output to FL driver
50	SCK1	I	Clock input from FL driver
51	NC	-	NC
52	FL DATA2	O	DATA output to FL driver
53	CLK IN1	I	Clock input from FL driver
54	NC	-	NC
55	FL DATA1	O	DATA output to FL driver
56	3.3VDD	-	AVR (3.3V)
57,58	X2/X1	-	Main clock (5MHz)
59~61	CVSS/CKSEL/PSEL	-	GND
62	2.5V VDD	-	AVR 2.5V
63	VSS	-	GND

MICROCOMPUTER'S TERMINAL DESCRIPTION

Pin No.	Pin Name	I/O	Description / Processing Operation
64,65	MODE0,1	-	GND
66	PAN RST	I	Reset signal request form system microprocessor (L : Reset)
67	VREF	-	Connect to 83PIN (VREF)
68,69	NC	-	NC
70,71	AVSS1,0	-	GND
72	VREF	-	Connect to 83PIN (VREF)
73	WAVE IN	I	Audio signal input terminal
74	F06	I	Spectrum analyzer input terminal (BPF 10KHz)
75	F05	I	Spectrum analyzer input terminal (BPF 3.3KHz)
76	F04	I	Spectrum analyzer input terminal (BPF 1KHz)
77	F03	I	Spectrum analyzer input terminal (BPF 330Hz)
78	F02	I	Spectrum analyzer input terminal (BPF 150Hz)
79	F01	I	Spectrum analyzer input terminal (BPF 63Hz)
80	NC	-	NC
81	2.5V VDD	-	AVR 2.5V
82	VSS	-	GND
83	VREF CON	O	VREF control terminal (Connect to VREF terminal)
84	NC	-	NC
85	FLGCP3	O	FL bright control terminal
86	NC	-	NC
87	FL LATCH	O	Latch output to FL driver IC
88,89	NC	-	NC
90	REMO ON	O	Power supply control for remote control IC (H : ON, Hi-Z : OFF)
91	FL3.3V SW	O	FL3.3V control terminal (H : ON, Hi-Z : OFF)
92	FL+B SW	O	FL+B control terminal (H : ON, Hi-Z : OFF)
93	3.3V SW	O	3.3V control terminal (L : ON, Hi-Z : OFF)
94	NC	-	NC
95	OE	O	OE control for Flash ROM (L : DATA transmission, Hi-Z : Wait ready)
96	NC	-	NC
97	WE/WR	O	WRITE/READ control for Flash ROM (L : Writing, Hi-Z : Wait ready)
98	3.3V VDD	-	AVR 3.3V
99	EVSS	-	GND
100	CE ROM	O	CE control for ROM (L : DATA transmission, Hi-Z : Wait ready)
101	CE F/ROM	O	CE control for Flash ROM (L : DATA transmission, Hi-Z : Wait ready)
102	FLASHROM CHECK	O	Writing condition check for Flash ROM (H : OK, L : NG)
103,104	NC	-	NC
105	GREEN LED	O	Select for illumination (GREEN H : ON, L : OFF)
106	RED LED	O	Select for illumination (RED H : ON, L : OFF)
107	DISP LED	O	DISP LED control (Normal H: ON, L : OFF)
108	BLACK DISP	O	Light up to DISP LED (H : ON, L : OFF)

MICROCOMPUTER'S TERMINAL DESCRIPTION

Pin No.	Pin Name	I/O	Description / Processing Operation
109,110	NC	-	NC
111	SA RST	O	Reset for spectrum analyzer (H : Reset, L : Normal)
112	3.3V VDD	-	AVR 3.3V
113	EVSS	-	GND
114~117	NC	-	NC
118~123	A21~A16	O	Address bus
124	2.5V VDD	-	AVR 2.5V
125	VSS	-	GND
126~133	A15~A8	O	Address bus
134	3.3V VDD	-	AVR 3.3V
135	EVSS	-	GND
136~143	A7~A0	O	Address bus
144	D15	I/O	External ROM data input/output terminal

● CD MECHANISM CONTROL MICROPROCESSOR : UPD63761GJ (X32-552 : IC7)

Pin No.	Pin Name	I/O	Description / Processing Operation
1	AVREF0	-	Reference voltage to A/D converter
2	AVSS	-	GND (For AD converter)
3	SLD1	O	Stepping motor control terminal 1
4	SLD2	O	Stepping motor control terminal 2
5	AVREF1	I	Reference voltage to D/A converter
6	D-MUTE	O	MUTE driver (L : MUTE ON)
7	BMS	O	BMS MODE (L : R-BRAKE)
8	IC/FLMD0	-	FLASH memory writing voltage output
9	VDD	-	AVR (3.3V)
10	REGC	-	Connect to 1u capacitor
11	VSS	-	GND
12,13	X1/X2	-	System clock
14	RESET	I	Reset input terminal (L : RESET)
15~17	NC	-	NC
18	MSTOP	I	Interrupt for Standby mode (L : STOP)
19	INTSV	I	Interrupt for servo IC
20	FOGUP	I	Interrupt for focus gain up (L : NORMAL)
21	FOK	I	Focus condition detect (L : Focus OK)
22	E2P_SDA	I/O	E2P I2C data for ROM correction
23	E2P_CLK	O	E2P I2C clock for ROM correction
24~26	NC	-	NC
27	TZC	I	Tracking Zero cross input terminal
28	LIM_SW	I	Pickup inside detector (L : Inside)

MICROCOMPUTER'S TERMINAL DESCRIPTION

Pin No.	Pin Name	I/O	Description / Processing Operation
29	PON	O	Power ON/OFF control (L : Power OFF)
30~32	NC	-	NC
33	EVSS	-	GND
34	EVDD	-	VDD
35	SYS_SDA	I/O	System I2C data input / output terminal
36	SYS_SCL	I/O	System I2C clock input / output terminal
37	MUTE_L	O	Lch audio mute control (L : MUTE OFF)
38	MUTE_R	O	Rch audio mute control (L : MUTE OFF)
39	PIC_SEL	I	PICKUP selector (L : KCP8C)
40	E2P_WR	I	Writing condition for E2PROM (L : NORMAL)
41	ASEL	I	Audio output detector (L : noninverted signal output)
42	SHOCK_SEL	I	SHOCK PROOF selector (L : Consist in data for buffer memory)
43,44	NC	-	NC
45	M_REM	O	Memory remaining amount monitor output (L : Memory remaining amount less than 75%)
46	NC	-	NC
47~50	TEST1-4	I	TEST MODE1-4
51~57	NC	-	NC
58	FG	-	NC
59	DSP_RESET	O	DSP reset control terminal (L : RESET)
60	CS	O	Chip select control (L : ON)
61	WAIT	I	WAIT control signal detect terminal
62~64	NC	-	NC
65	WR0	O	Multiplex write signal output terminal
66	NC	-	NC
67	RD	O	Multiplex RD signal output terminal
68	ASTB	O	Multiplex ASTB signal output terminal
69	BVSS	-	GND
70	BVDD	-	AVR (3.3V)
71~78	AD0~AD7	I/O	Multiplex address/ data bus
79~83	AB8~AB12	O	Multiplex address/ bus
84~86	NC	-	NC
87	ZMUTE_L	I	Lch 0bit MUTE detector (L : MUTE OFF)
88	ZMUTE_R	I	Rch 0bit MUTE detector (L : MUTE OFF)
89~99	NC	-	NC
100	HOT	I	Temperature rise detector (Detect voltage : 2.55V : 95°C, Release voltage : 2.47V : 90°C)

TEST MODE

● How to enter the test mode

While pressing and holding the Preset 1 and Preset 3 keys, reset the unit.

● How to exit from the test mode

While holding the Preset 6 key, reset the unit.

Note : Turning ACC off, power off, momentary power down or panel detaching does not terminate the test mode.

● Initial status in the test mode

- Sources : ALL OFF
- Display : All segments are lit.
- Volume : -10dB (displayed as "30")
- Loudness : OFF
- CRSC : OFF regardless of the presence of switching function.
- SYSTEM Q : Flat
- WOW : All OFF
- BEEP : When pressing any keys, the buzzer generates a beep at any time.
- AUX : ON
- MENU SYSTEM Q : OFF
- Variable model : Default is white
- Multifunction : Source dependency (Preset, SCAN, etc.)

● Special display in Tuner mode

When any of the following messages is displayed in Tuner mode, the F/E may be abnormal.

- "TNE2P NG" : The EEPROM is set to the default (unstable values) because the F/E was shipped without passing through the adjustment process, etc.
- "TNCON NG" : Communication with the F/E is not possible.

● Forced switching of K3I

Each press of the Preset 6 key in Tuner mode should switch K3I from AUTO→Forced Wide→Forced Middle→Forced Narrow→AUTO.

The initial status is AUTO and the display shows these modes as follows.

- AUTO : FMA
- Forced Wide : FMW
- Forced Middle : FMM
- Forced Narrow : FMN

● Test mode specifications of the CD receiver

- Forced ejection is inhibited in the reset start operation. When the unit is reset while a CD is loaded in it, resetting does not recognize the CD.
- Each press of the Track Up key jumps to the following track numbers :
No. 9→No. 15→No. 10→No. 11→No. 12→No. 13→No. 22→No. 14→No. 9 (The cycle restarts from here.)
- Each press of the Track Down key jumps to the previous track number to the track being played.
- When the number of total tracks of the MP3 disc or the WMA disc is less than 9, 1st track is played.
- When the disc media is CD, A short press of the Preset 1 key jumps to the track number 28.
- When the model is equipped the CD mechanism assembly adapted for MP3 or MP3/WMA disc, the mechanism name and version number are displayed during the FL model is lower stand and Display mode of LCD model is DNPS.

● Audio-related specifications (Model KDC-X979/9026R/PSW9527/W9027)

- Pressing the * key on the remote initiates the audio adjustment mode.
- BL/F key on the Fader initials.
- Continuous holding of a remote control key is inhibited, and workings are short press of any keys.
- Balance is adjusted in 3 steps of L15 / 0 / R15 with the Track Up/Down keys (Default value at 0).
- Fader is adjusted in 3 steps of R15 / 0 / F15 with the Track Up/Down keys (Default value at 0).
- HPF is adjusted in 2 steps of OFF / 170Hz (or 220Hz) with the Track Up/Down keys (Default value at OFF).
- LPF : (Default value at through).
- Each press of the PRO LOGIG II key should switch in Bass management control.

● Menu-related specifications

- A short press of the Q key initiates the menu mode.
- Pressing the DNPP key on the remote initiates the Menu mode.
- Continuous holding of a remote control key is inhibited, and workings are short press of any keys.
- Contrast is adjusted in 3 steps of 0 / 5 / 10 with the Track Up/Down keys (Default value at 5).

TEST MODE

● Backup current measurement

When the unit is reset while ACC is OFF (i.e. by turning Backup ON), the MUTE terminal goes OFF in 2 seconds in place of 15 second. (The CD mechanism is not activated at this time.)

● Special display when the display is all on

Pressing the Preset keys while the power is ALL OFF displays the following information.

[PRESET 1]	Version display (8 digits, Month/Day/Hour/Minute) (Display) SYS xxxxxxxx : PAN xxxxxxxx : FL model only MEM xxxxxxxx : 4 contrasts FL model only
[PRESET 2]	Serial number display (8 digits) (Display) SNo xxxxxxxx
[PRESET 3]	Short press : View power ON time. (The All OFF period is not counted.) 2 seconds long press/hold : Clear power ON time at the power ON time displaying. (Display) PonTim xxxxx Max. 60000 (hours)
[PRESET 4]	Short press : Display CD operation time. 2 seconds long press/hold : Clear CD operation time at the CD operation time displaying. (Display) CDTim xxxxx Max. 60000 (hours)
[PRESET 5]	Short press : Display CD ejection count. 2 seconds long press/hold : Clear CD ejection count at the CD ejection count displaying. (Display) EjeCnt xxxxx Max. 60000 (times)
[PRESET 6]	Short press : Display Panel open/close count. 2 seconds long press/hold : Clear Panel open/close count at the Panel open/close count. (Display) PnCnt xxxxxx Max. 600000 (times)
FM key	Display ROM collection version. (Display) ROM R xxx Invalid : "R --"
AM key	Display panel E2PROM condition. (Display) P-ROM OK (Registered code) P-ROM NG (Code is write in error) P-ROM WAIT (Unregistered code) P-ROM NON (Panel security nonfunctional)
TRACK UP key	AUDIO data default setting (KDC-X979, 9026R, PSW9527, W9027 only) (Display) AUDIO INIT

● Panel mechanism

- Auto-panel close inhibition when set-in the CD.
- The panel operation inhibition at power ON/OFF and ACC ON/OFF.
- The panel position changing Eject→Last with a short press of the PLAY/PAUSE keys.

● Other specifications

- No displays such as "CODE OFF/ON" during Power-ON.
- The LINE MUTE inhibition time is one second from 10 seconds when start-up the test mode.
- Do not write the security code with the security jig on the test mode.
- Do not write the serial with the serial writing jig on the test mode.
- OEM display output is not stop if OEM display not connection on the test mode.

● Switching the frequency span (K/M type)

While holding the Preset 1 key and Preset 5 key, reset the unit.

● Check the Flash ROM (KDC-X979, KDC-9026R, KDC-W9027)

1. Display to the following effect at ALL OFF by assortment system computer and panel for cover the customization model attach the panel with no Flash ROM.
 - Customization system computer + Flash ROM panel : All lighting
 - Non customization system computer + Non Flash ROM panels : All lighting
 - Customization system computer + Non Flash ROM panel : Panel NG
 - Non customization system computer + Flash ROM panel : Panel NG
2. Output (Hi) to the FLASHROM_CHECK terminal on 102 pin when Flash ROM is function properly.
3. Flash ROM data is initialized when pressing the AM key long hold at all lighting.

Display is "Data Erase..." in data erasing mode. Do not touch anything this mode. When the data erase completed, display is "Erase OK!!".

If display is "Erase NG!!!!!!", Flash ROM data unable erase for some kind or another factors.

When same effect as pressing the AM key long hold and data erase once again, Flash ROM is defective.

TEST MODE

● Demonstration mode

1. How to enter to the Demonstration mode

1. Hold down the [Q] key and [TI (AME)] key button when the power is on and press the Reset button.
2. This will enter to the Demonstration mode.

2. How to cancel the Demonstration mode

1. Hold-down the Preset [5] key button when the power is on and press the Reset button.
2. This will cancel the Demonstration mode.

● Security information

1. Forced Power ON mode (All models)

Even when the security (Cord) is approved, resetting the unit while holding the Q and Preset 4 keys makes it possible to turn the power ON for 30 minutes.

After 30 minutes have elapsed, it is not possible to return to the previous condition unless the unit is reset again. (Security code is doing not clear at this mode. Put the power on fill-in.)

When panel security was set up for the unit when it is can not power on.

In this case, you can use new ROM for the TDF panel that the unit can be power on for test mode.

Note : Don't enter the panel security set up for new ROM panel. User can not power on the unit.

2. Method of registration of the security code after EEPROM (F/E) replacement (Code security model)

1. Enter the test mode. (See How to enter the test mode)
2. Press the MENU key to enter the Menu mode.
3. When the message "Security" is displayed, press and hold the Track Up/Down key for 1 second to enter the security registration mode.
4. Enter the code using the FM/AM/Track Up/Track Down keys.
 - FM key : Number up
 - AM key : Number down
 - Track Up key : Cursor right shift
 - Track Down key : Cursor left shift

5. Hold down the Track Up key for at least 3 seconds and the message, "RE-ENTER" appears, so once again enter the code according to Step 4 above.
6. Press and hold the Track Up key for 3 seconds until "APPROVED" is displayed.
7. Exit from the test mode. (See 2. How to exit from the test mode)

Note 1 : All Clear is not applicable to the security code of this model.

Note 2 : When the F/E changed, need re-inscription because the panel security is clear.

3. How to inscription the panel security code

1. Enter the test mode.
2. Pressing the AM key on all lighting, check the "P-ROM WAIT" display.
3. The NEXT key is long press 2 seconds, writing the code.
4. Display is "P-ROM OK".
5. Exit from the test mode.

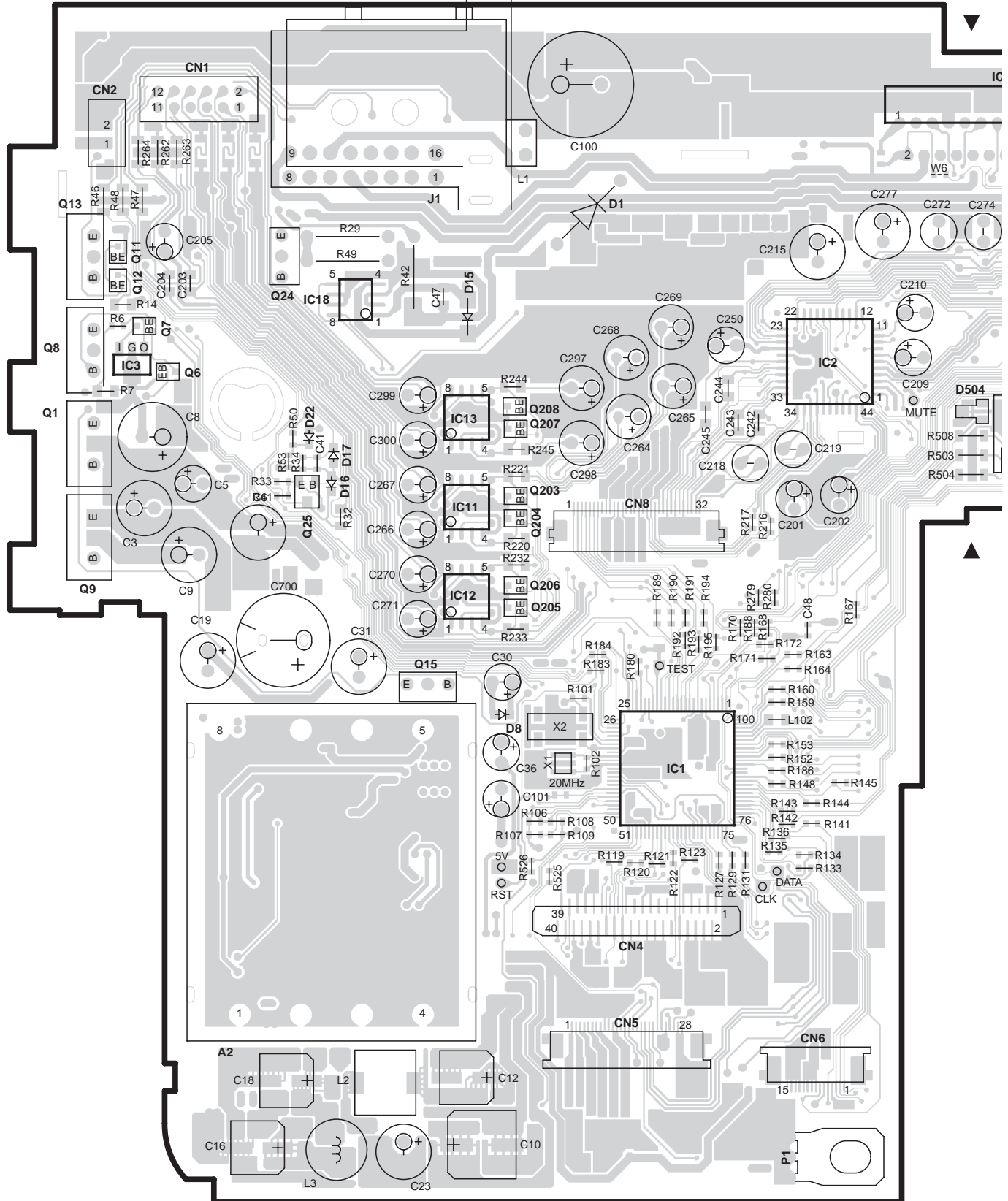
Note : E2PROM connection is NG when display is "P-ROM NG", so detach the panel and rewrite after the display is "PROM WAIT". This code can not clear.

4. Simple way to clear the security code (K type only)

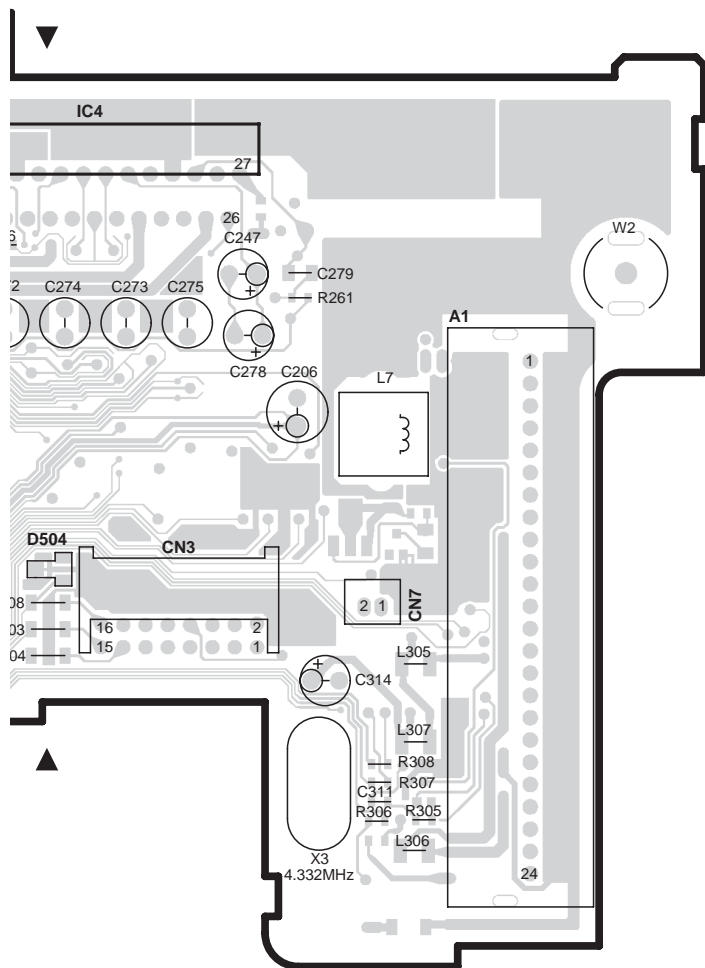
1. During code request mode, press the Track UP key for at least 3 seconds while holding down the AUTO key. (--- will disappear)
2. Enter, "KCAR" with the remote controller as described below.
 - Press the remote controller 5 key twice, and press the Track Up key. (Enters a "K")
 - Press the remote controller 2 key three times, and press the Track Up key. (Enters a "C")
 - Press the remote controller 2 key once, and press the Track Up key. (Enters an "A")
 - Press the remote controller 7 key twice, and press the Track Up key. (Enters an "R")
3. Security function is canceled and unit sets to All-Off mode.
4. Code request mode appears if a mistake was made in entering the numbers.

PC BOARD (COMPONENT SIDE VIEW)

ELECTRIC UNIT X34-3050-11/21, X34-3052-71/72 (J74-1585-02)



Refer to the schematic diagram for the values of resistors and capacitors.



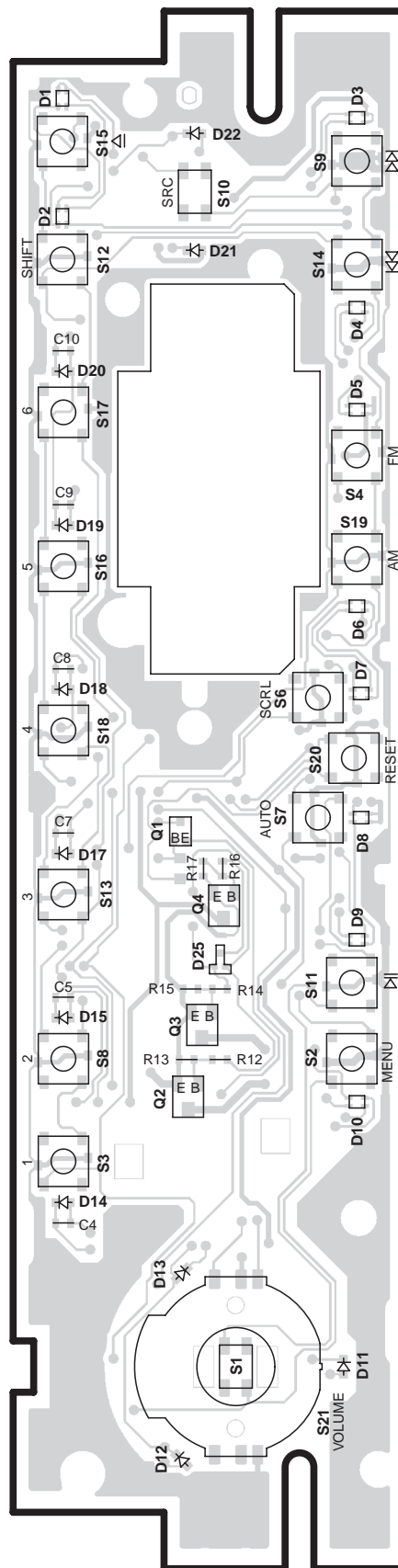
X34-3050-11/21, X34-3052-71/72

Ref. No.	Address	Ref. No.	Address
IC1	5D	Q11	3A
IC2	3E	Q12	3A
IC3	3A	Q13	2A
IC4	2F	Q15	4C
IC11	4C	Q24	3B
IC12	4C	Q25	4B
IC13	3C	Q203	4C
IC18	3B	Q204	4C
Q1	3A	Q205	4C
Q6	3B	Q206	4C
Q7	3B	Q207	3C
Q8	3A	Q208	3C
Q9	4A		

X16-2560-10

Ref. No.	Address
Q1	4I
Q2	5I
Q3	5I
Q4	5I

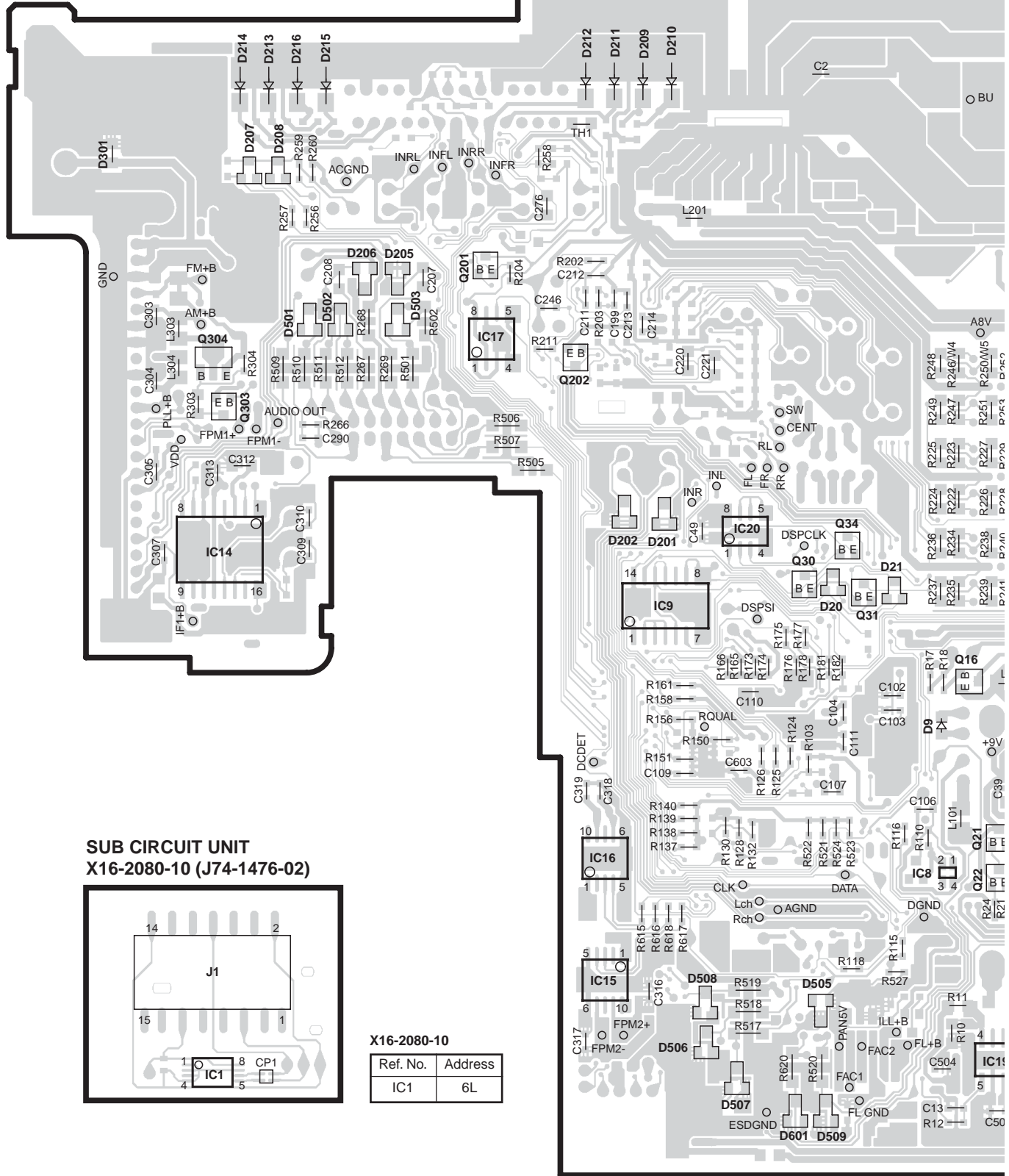
SWITCH UNIT
X16-2560-10 (J74-1590-02)



PC BOARD (FOIL SIDE VIEW)

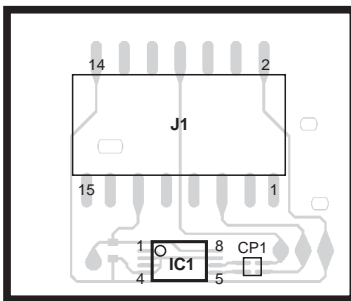
ELECTRIC UNIT

X34-3050-11/21, X34-3052-71/72 (J74-1585-02)



SUB CIRCUIT UNIT

X16-2080-10 (J74-1476-02)



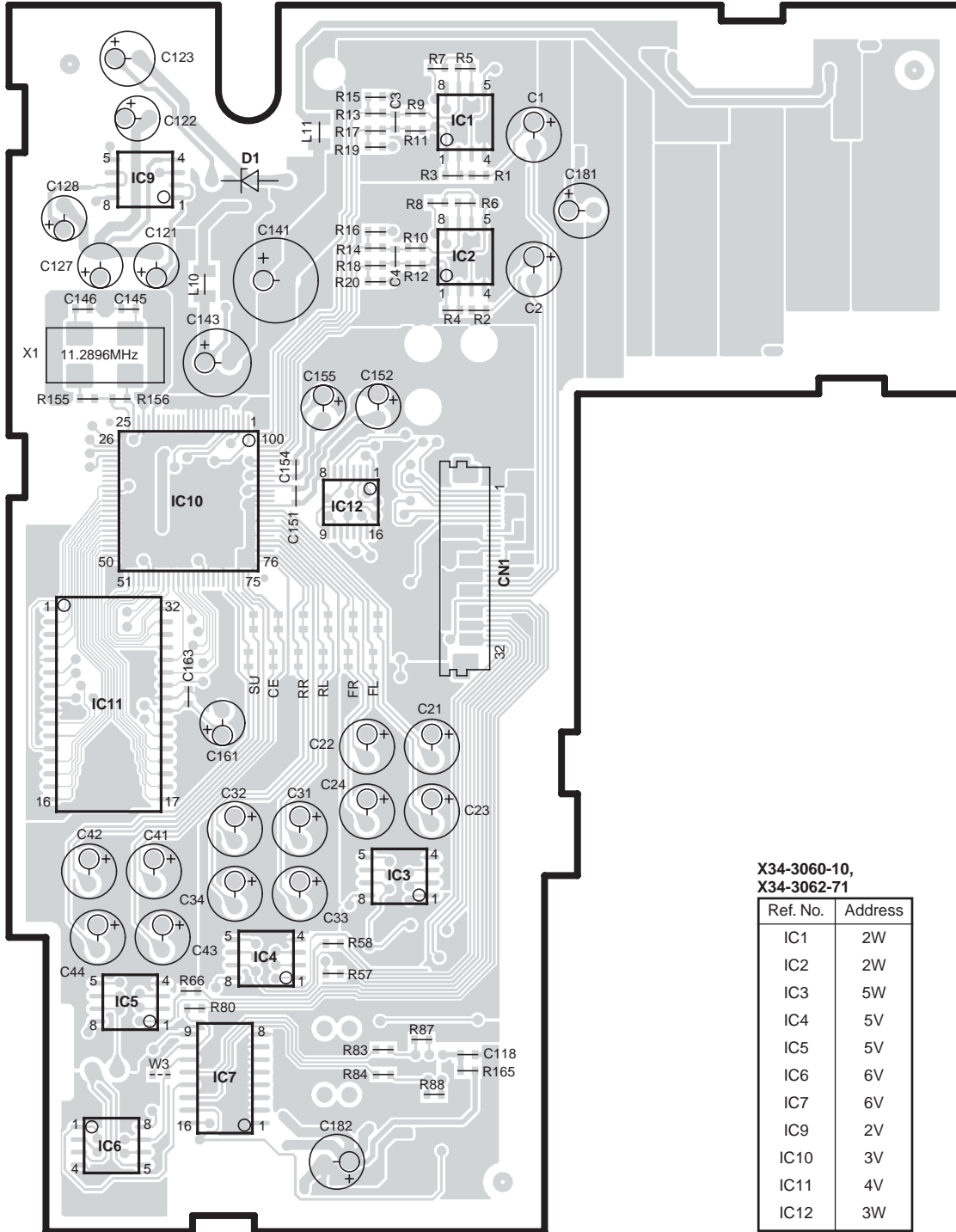
X16-2080-10

Ref. No.	Address
IC1	6L

Refer to the schematic diagram for the values of resistors and capacitors.

PC BOARD (COMPONENT SIDE VIEW)

ELECTRIC UNIT X34-3060-10, X34-3062-71 (J74-1586-02)



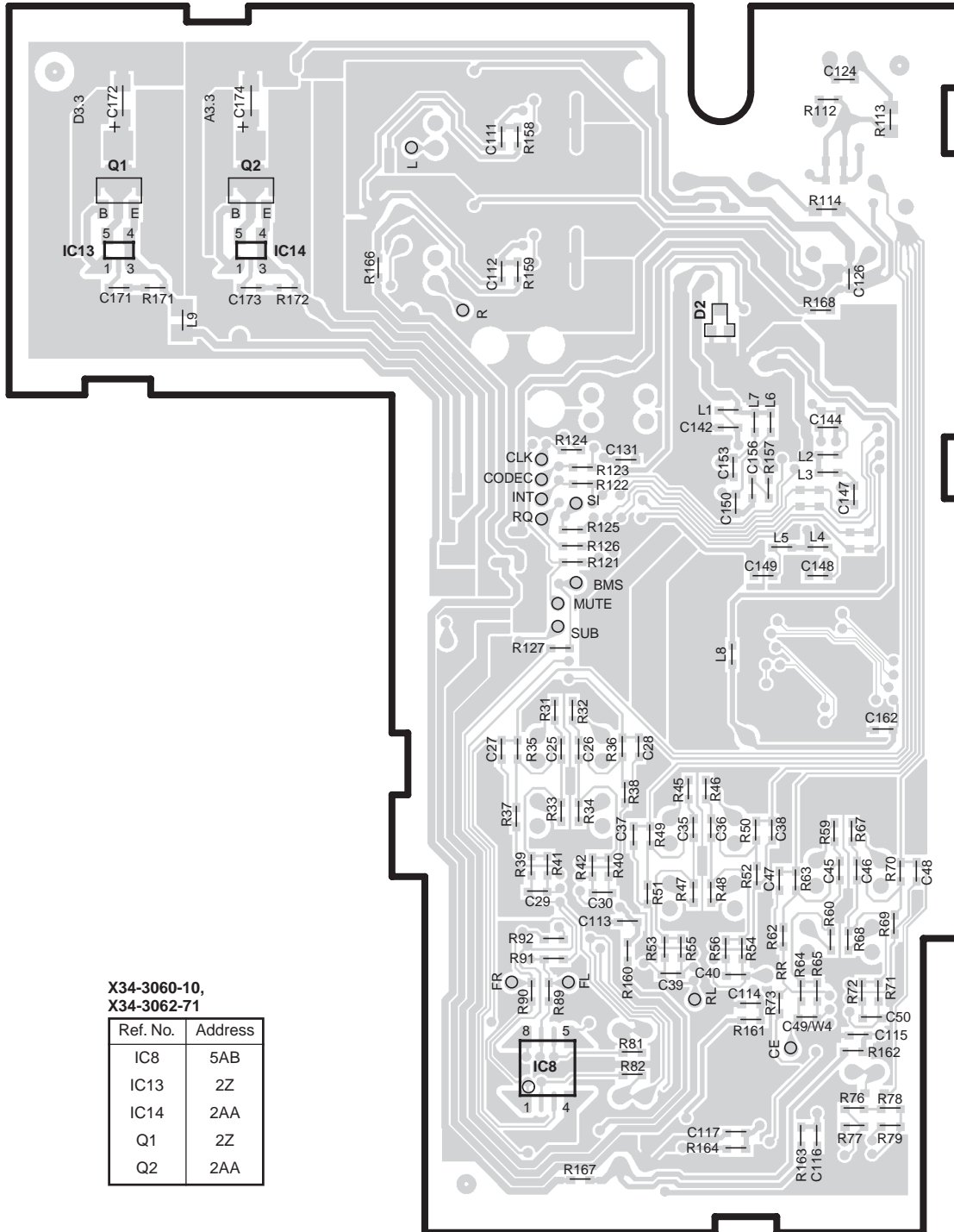
X34-3060-10,
X34-3062-71

Ref. No.	Address
IC1	2W
IC2	2W
IC3	5W
IC4	5V
IC5	5V
IC6	6V
IC7	6V
IC9	2V
IC10	3V
IC11	4V
IC12	3W

Refer to the schematic diagram for the values of resistors and capacitors.

PC BOARD (FOIL SIDE VIEW)

ELECTRIC UNIT X34-3060-10, X34-3062-71 (J74-1586-02)

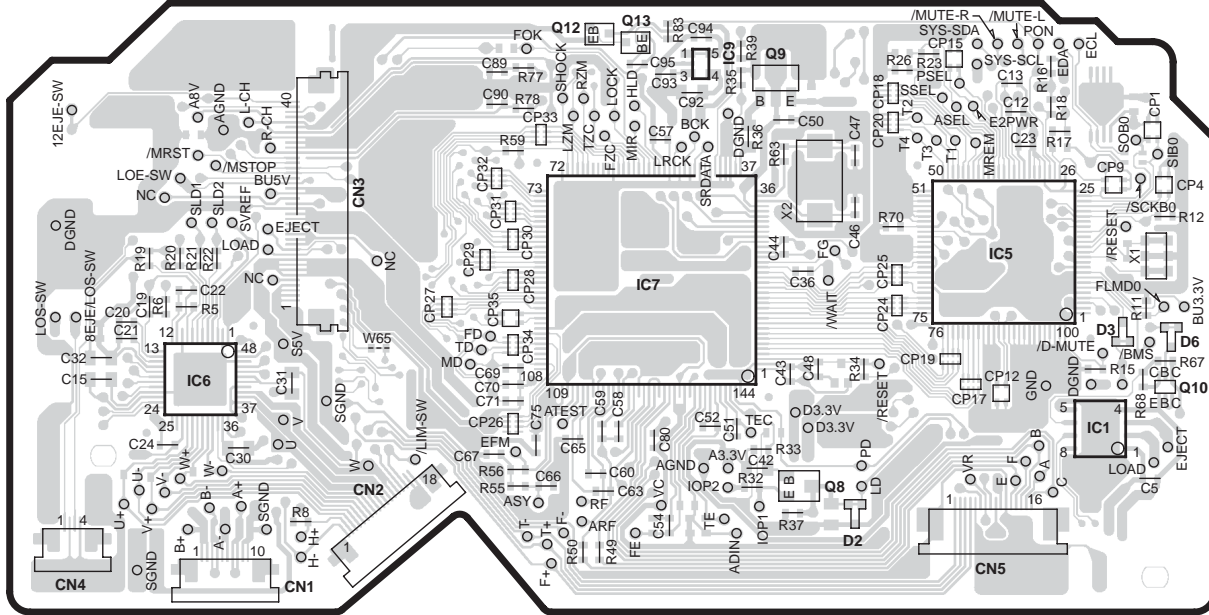


Refer to the schematic diagram for the values of resistors and capacitors.

KDC-9026R/PSW9527
KDC-W9027/X979

PC BOARD (COMPONENT SIDE VIEW)

CD PLAYER UNIT X32-5520-00 (J74-1556-12)

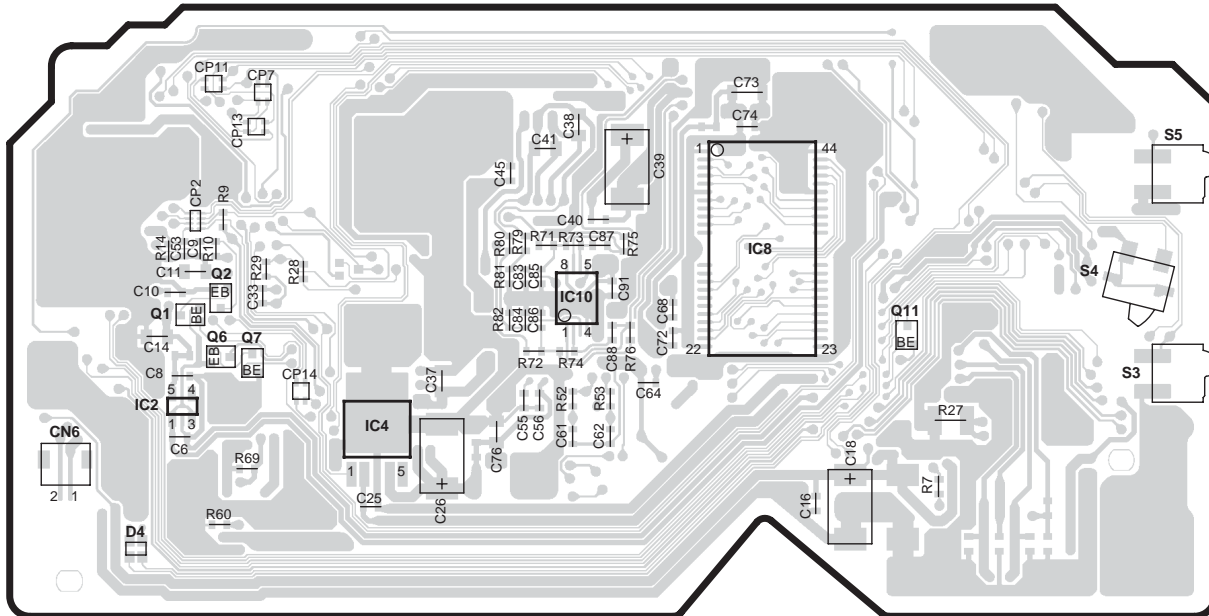


X32-5520-00

Ref. No.	Address	Ref. No.	Address
IC1	3AI	Q8	3AH
IC5	2AH	Q9	2AH
IC6	3AF	Q10	3AI
IC7	2AG	Q12	1AG
IC9	2AH	Q13	1AG

PC BOARD (FOIL SIDE VIEW)

CD PLAYER UNIT X32-5520-00 (J74-1556-12)



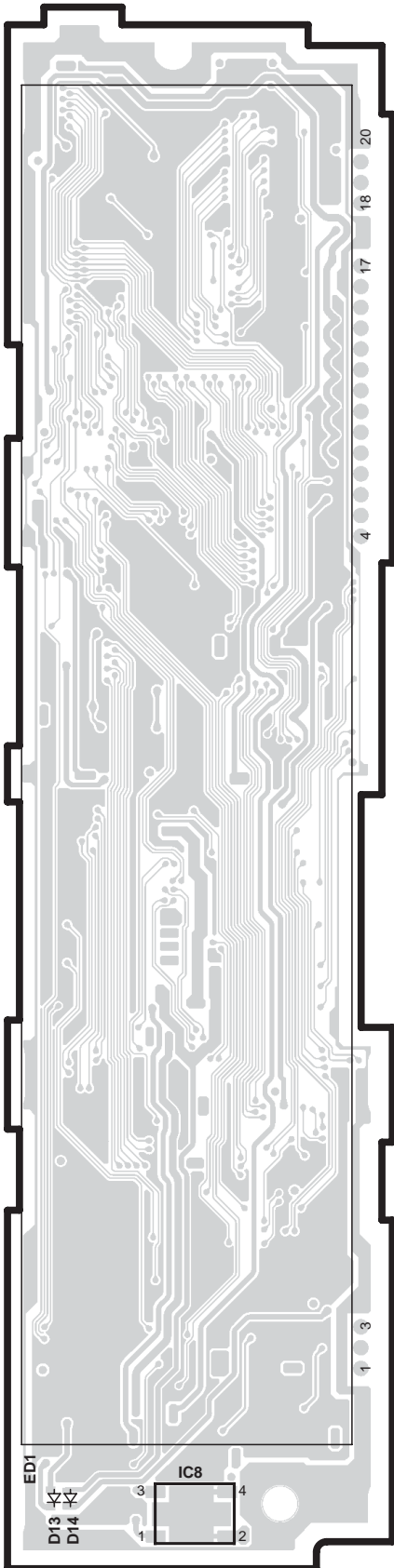
X32-5520-00

Ref. No.	Address	Ref. No.	Address	Ref. No.	Address
IC2	6AF	IC10	5AG	Q6	6AF
IC4	6AF	Q1	6AF	Q7	6AF
IC8	5AH	Q2	5AF	Q11	6AH

Refer to the schematic diagram for the values of resistors and capacitors.

PC BOARD (COMPONENT SIDE VIEW)

DISPLAY UNIT
X16-2530-10/11 (J74-1587-02)

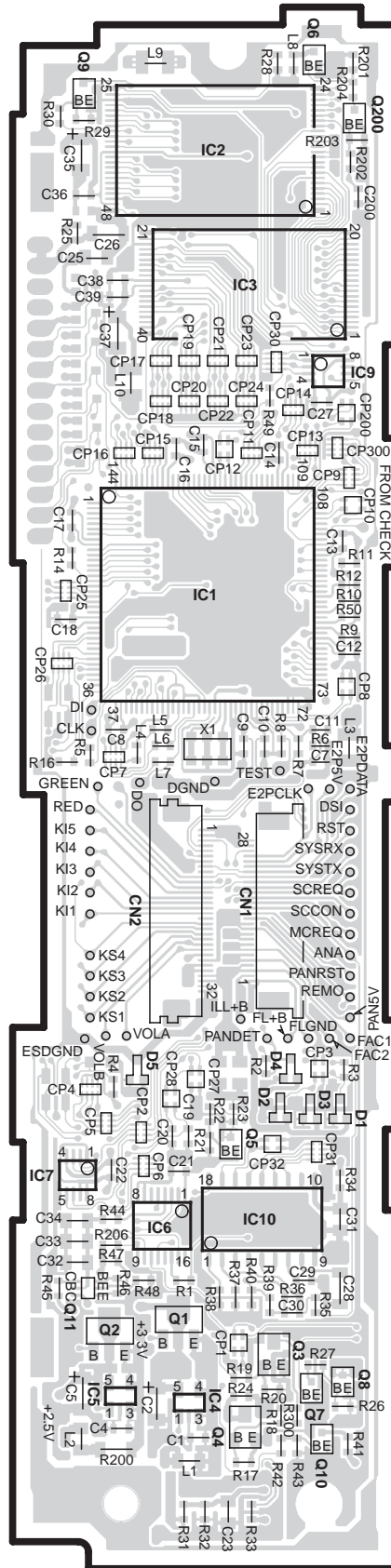


X16-2530-10/11

Ref. No.	Address
IC8	7AJ

(FOIL SIDE VIEW)

DISPLAY UNIT
X16-2530-10/11 (J74-1587-02)



X16-2530-10/11

Ref. No.	Address
IC1	4AM
IC2	2AM
IC3	2AM
IC4	6AM
IC5	6AL
IC6	6AL
IC7	6AL
IC9	3AM
IC10	6AM
Q1	6AM
Q2	6AL
Q3	6AM
Q4	7AM
Q5	6AM
Q6	2AM
Q7	6AM
Q8	6AM
Q9	2AL
Q10	7AM
Q11	6AL
Q200	2AM

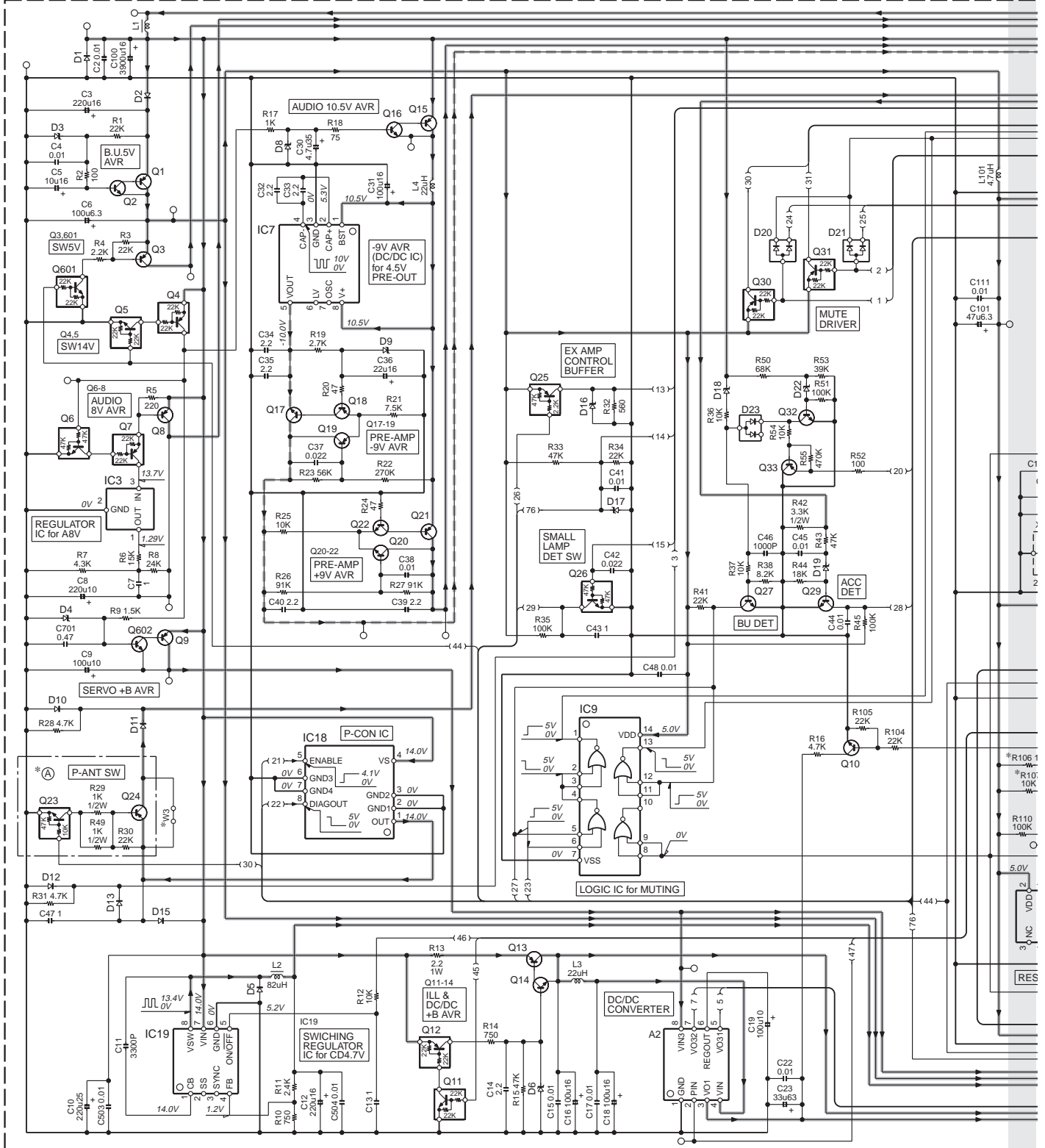
Refer to the schematic diagram for the values of resistors and capacitors.

KDC-9026R/PSW9527 KDC-W9027/X979

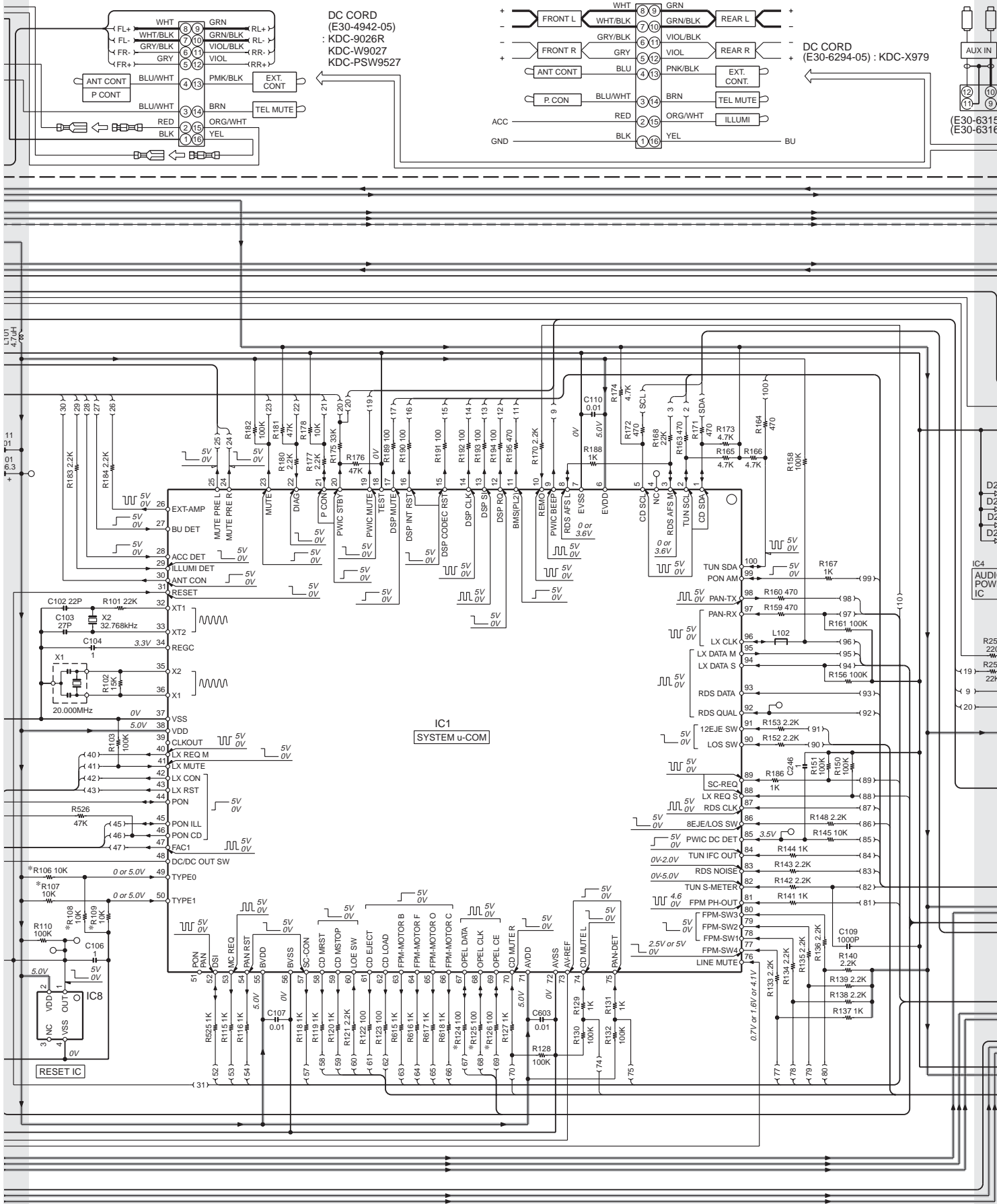
(X34-305x-xx)

MODEL NAME	UNIT No.	A	B	C	D	A1	C244, 284	R106	R107	R108	R109	R124-126	W3	W4,5
KDC-X979	0-10	YES	YES	NO	YES	X86-3730-11	YES	NO	NO	YES	YES	YES	NO	NO
KDC-9026R	0-21	NO	NO	NO	YES	X86-3732-70	YES	NO	NO	YES	NO	NO	YES	NO
KDC-PSW9527	2-71	NO	YES	YES	YES	X86-3732-70	YES	NO	YES	YES	NO	YES	YES	NO
KDC-W9027	2-72	NO	YES	YES	NO	X86-3732-70	NO	YES	YES	NO	NO	YES	YES	YES

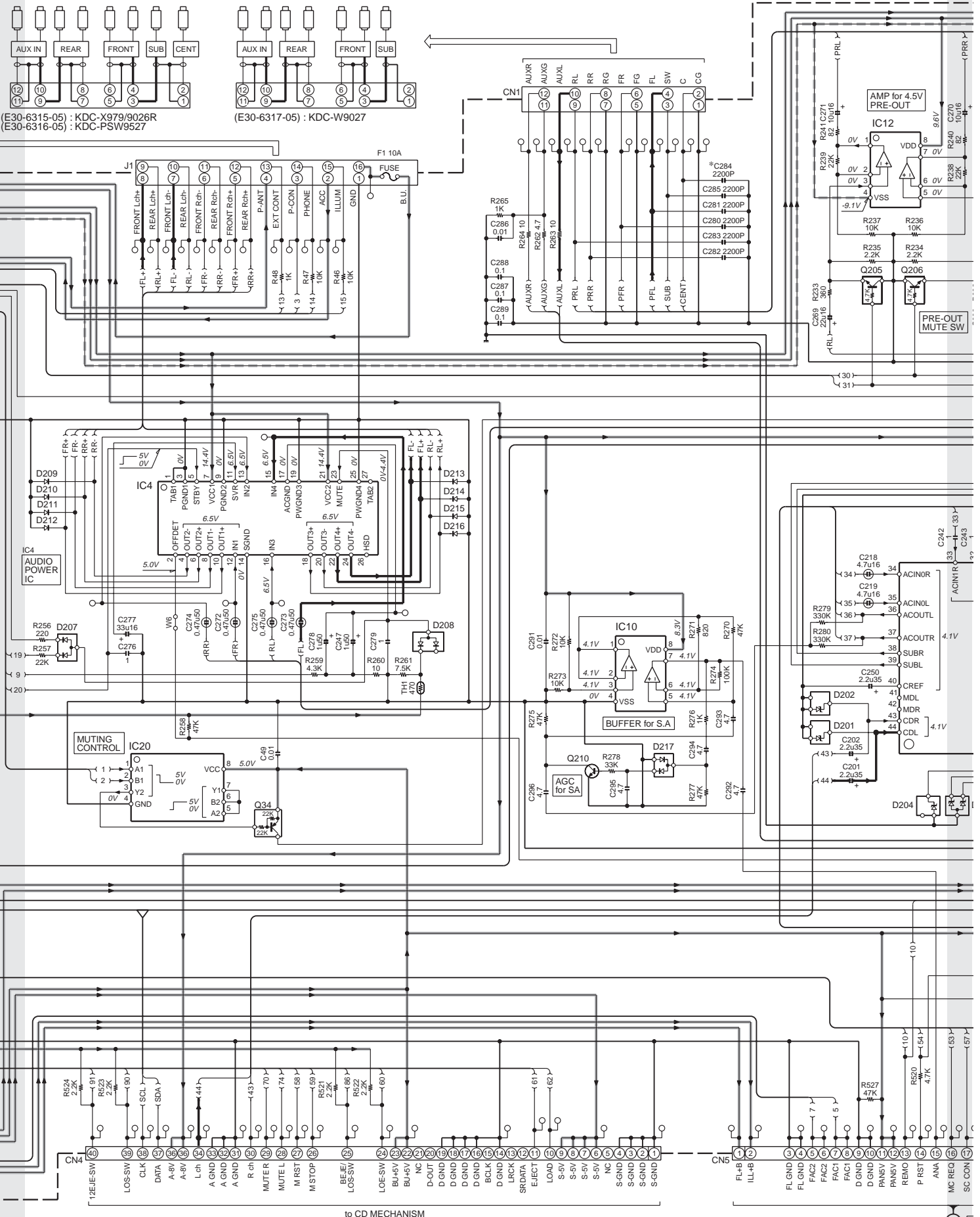
ELECTRIC UNIT (X34-305x-xx)



KDC-9026R/PSW9527 KDC-W9027/X979



KDC-9026R/PSW9527
KDC-W9027/X979

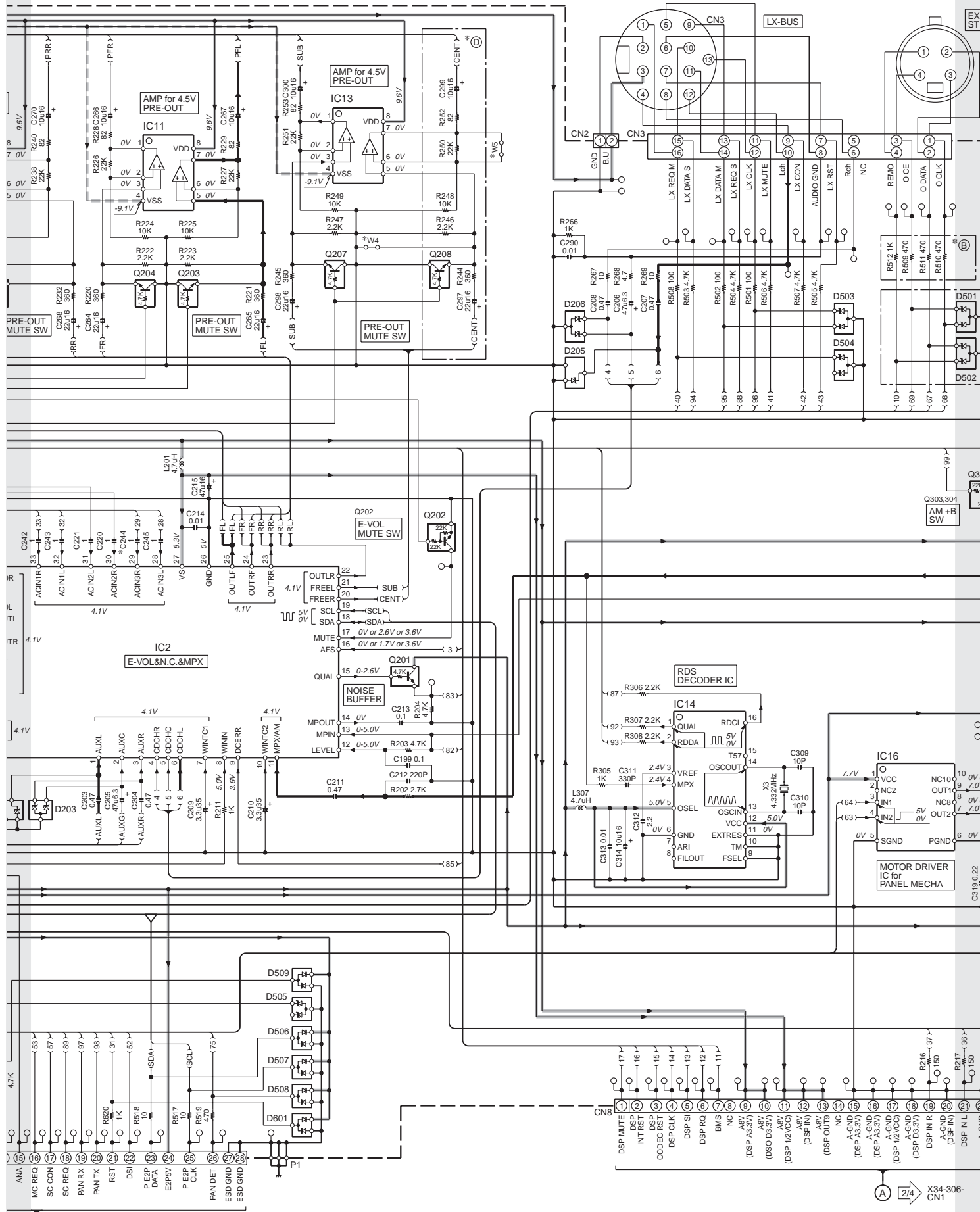


(E30-6315-05) : KDC-X979/9026R
(E30-6316-05) : KDC-PSW9527

(E30-6317-05) : KDC-W9027

to CD MECHANISM

KDC-9026R/PSW9527 KDC-W9027/X979



X16-253-CN1

X34-306-CN1

KDC-9026R/PSW9527 KDC-W9027/X979

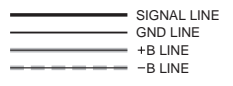
EXTERNAL DISPLAY & STEERING REMOTE CORD

- | | |
|---------------------------------|------------------------|
| IC1 : 703030YGCJ07-A | IC10-13 : NJM4565M-TE2 |
| IC2 : E-TDA7414 | IC14 : TDA7479D |
| IC3 : M5237ML | IC15,16 : LM1930M-E |
| IC4 : E-TDA7560A | IC18 : L9820D013TR |
| IC7 : ICL7660SIBA | IC19 : LM2672M-ADJ |
| IC8 : S-80837CNNB | IC20 : TC7W02F |
| IC9 : SN74HC02NSR or TC74HC02AF | |

- | | |
|-------------------|-----------------------|
| Q1,8,9,13 | : 2SB1565(E,F) |
| Q2,14,16,17,20,22 | : 2SC4081 |
| Q3,18,19,21,33 | : 2SA1576A |
| Q4,7,30,31,34 | : DTA124EUA or UN5112 |
| Q5,202,303,601 | : DTC124EUA or UN5212 |
| Q6,26 | : DTC144EUA or UN5213 |
| Q10 | : 2SC2713 |
| Q11 | : DTC124EE |
| Q12 | : DTA124EE |
| Q15 | : 2SB1443 |
| Q23 | : DTC114YUA or UN5214 |
| Q24 | : 2SB1240 |
| Q25 | : DTA123JK or KRA105S |
| Q201,203-208 | : DTC143TUA or UN5216 |
| Q304 | : 2SB1188(Q,R) |

- | | |
|-------------------|--------------------------------------|
| D1 | : 1N5393G-M5 |
| D2 | : RB160L-40 |
| D3,9,16 | : UDZS5.6B |
| D4 | : UDZS8.2B |
| D5 | : SFPB-54V |
| D6 | : UDZS10B |
| D8 | : UDZS11B |
| D17 | : UDZS4.7B |
| D18,22 | : UDZS6.8B |
| D19 | : UDZS2.6B |
| D20,21,23,207,208 | : LM1MA142WA-G or DAP202U or MA142WA |
| D201,202,204,205 | : RD6.8M(B2) |
| D203,206 | : RD6.8MW |
| D209-216 | : 1SR154-400 or S1J |
| D217,506-509,601 | : DA204K |
| D301 | : IMSA-6801 |
| D501-505 | : STZ6.8N |

- | | |
|-----|---------|
| L1 | : 4.7uH |
| L2 | : 4.7uH |
| L3 | : 4.7uH |
| L4 | : 4.7uH |
| L5 | : 4.7uH |
| L6 | : 4.7uH |
| L7 | : 4.7uH |
| L8 | : 4.7uH |
| L9 | : 4.7uH |
| L10 | : 4.7uH |
| L11 | : 4.7uH |
| L12 | : 4.7uH |
| L13 | : 4.7uH |
| L14 | : 4.7uH |
| L15 | : 4.7uH |
| L16 | : 4.7uH |
| L17 | : 4.7uH |
| L18 | : 4.7uH |
| L19 | : 4.7uH |
| L20 | : 4.7uH |
| L21 | : 4.7uH |
| L22 | : 4.7uH |
| L23 | : 4.7uH |
| L24 | : 4.7uH |
| L25 | : 4.7uH |
| L26 | : 4.7uH |
| L27 | : 4.7uH |
| L28 | : 4.7uH |
| L29 | : 4.7uH |
| L30 | : 4.7uH |
| L31 | : 4.7uH |
| L32 | : 4.7uH |
| L33 | : 4.7uH |
| L34 | : 4.7uH |
| L35 | : 4.7uH |
| L36 | : 4.7uH |
| L37 | : 4.7uH |
| L38 | : 4.7uH |
| L39 | : 4.7uH |
| L40 | : 4.7uH |
| L41 | : 4.7uH |
| L42 | : 4.7uH |
| L43 | : 4.7uH |
| L44 | : 4.7uH |
| L45 | : 4.7uH |
| L46 | : 4.7uH |
| L47 | : 4.7uH |
| L48 | : 4.7uH |
| L49 | : 4.7uH |
| L50 | : 4.7uH |
| L51 | : 4.7uH |
| L52 | : 4.7uH |
| L53 | : 4.7uH |
| L54 | : 4.7uH |
| L55 | : 4.7uH |
| L56 | : 4.7uH |
| L57 | : 4.7uH |
| L58 | : 4.7uH |
| L59 | : 4.7uH |
| L60 | : 4.7uH |
| L61 | : 4.7uH |
| L62 | : 4.7uH |
| L63 | : 4.7uH |
| L64 | : 4.7uH |
| L65 | : 4.7uH |
| L66 | : 4.7uH |
| L67 | : 4.7uH |
| L68 | : 4.7uH |
| L69 | : 4.7uH |
| L70 | : 4.7uH |
| L71 | : 4.7uH |
| L72 | : 4.7uH |
| L73 | : 4.7uH |
| L74 | : 4.7uH |
| L75 | : 4.7uH |
| L76 | : 4.7uH |
| L77 | : 4.7uH |
| L78 | : 4.7uH |
| L79 | : 4.7uH |
| L80 | : 4.7uH |



2SB1565

DTA123JK UN5214
DTA124EE UN5216
DTC114EE 2SA1163
DTC114YUA 2SA1576A
DTC124EE 2SC2713
DTC143TUA 2SC4617
UN5114 2SD2114K
UN5213

2SB1132 2SB1188

2SC2873-F

2SB1443

2SA1774 2SC4081

UMX2N

DTA124EUA DTC124EUA DTC144EUA

NJM4565M-TE2

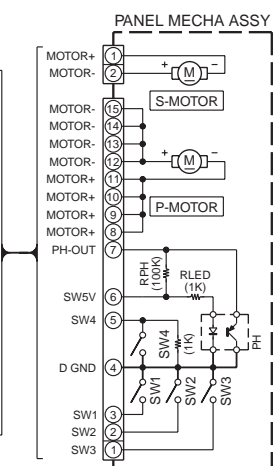
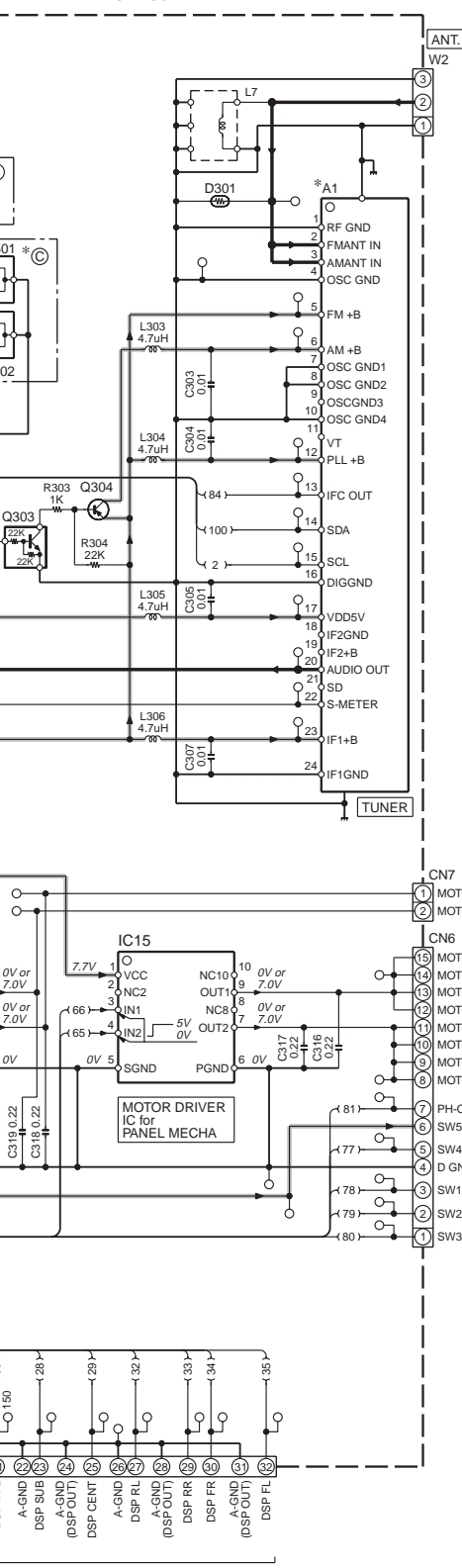
DAP202U DA204K DA204U DTA114YUA

MA142WA UN5212

RD6.8M DA227 TC74HC02AF

BA3830F M5237ML NJM4580V-LF

LB1930M-E TC7W02F TC74HC4050AFT TDA7479D

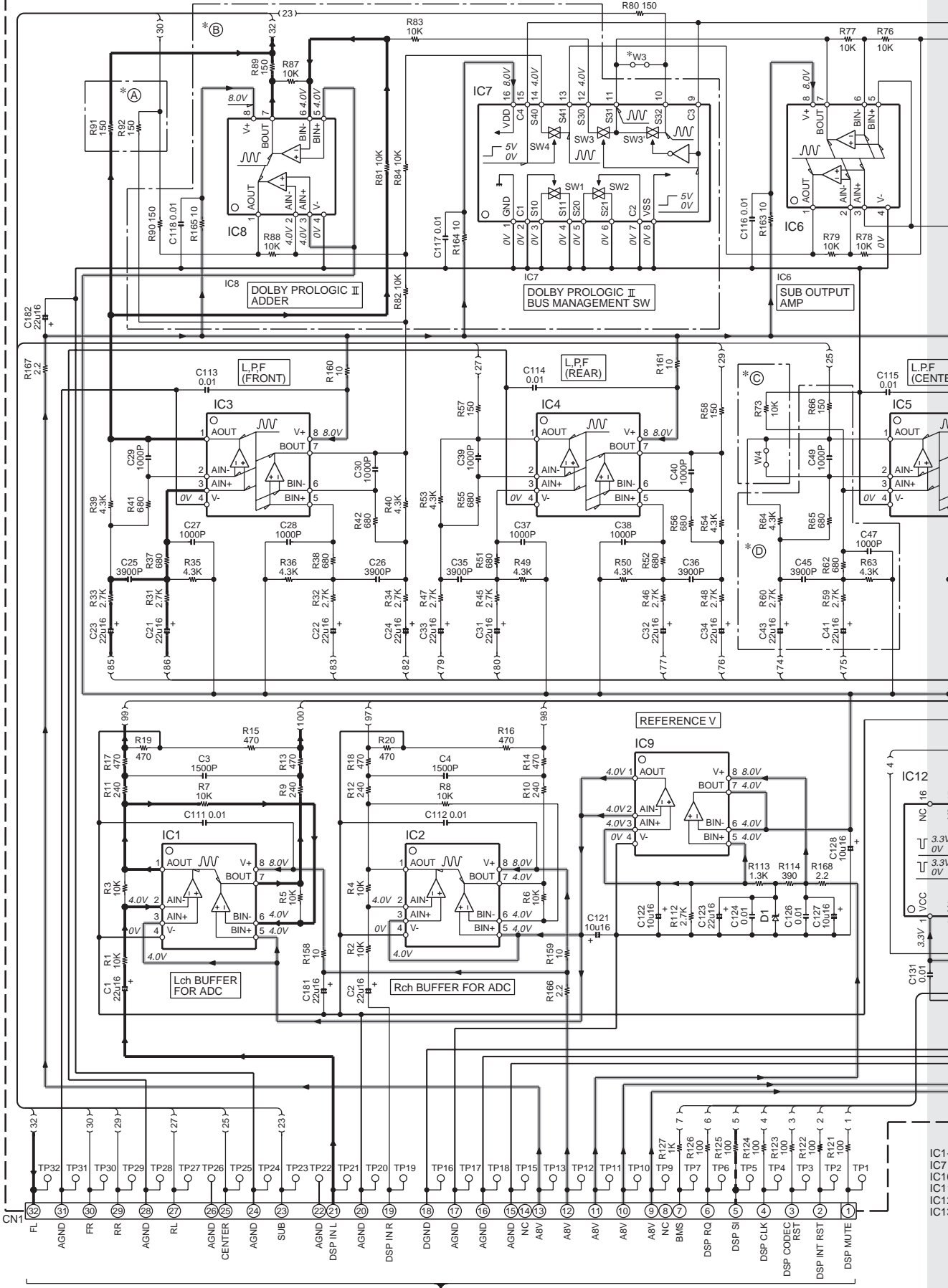


CAUTION : For continued safety, replace safety critical components only with manufacturer's recommended parts (refer to parts list).
 ⚠ Indicates safety critical components. To reduce the risk of electric shock, leakage-current or resistance measurements shall be carried out (exposed parts are acceptably insulated from the supply circuit) before the appliance is returned to the customer.

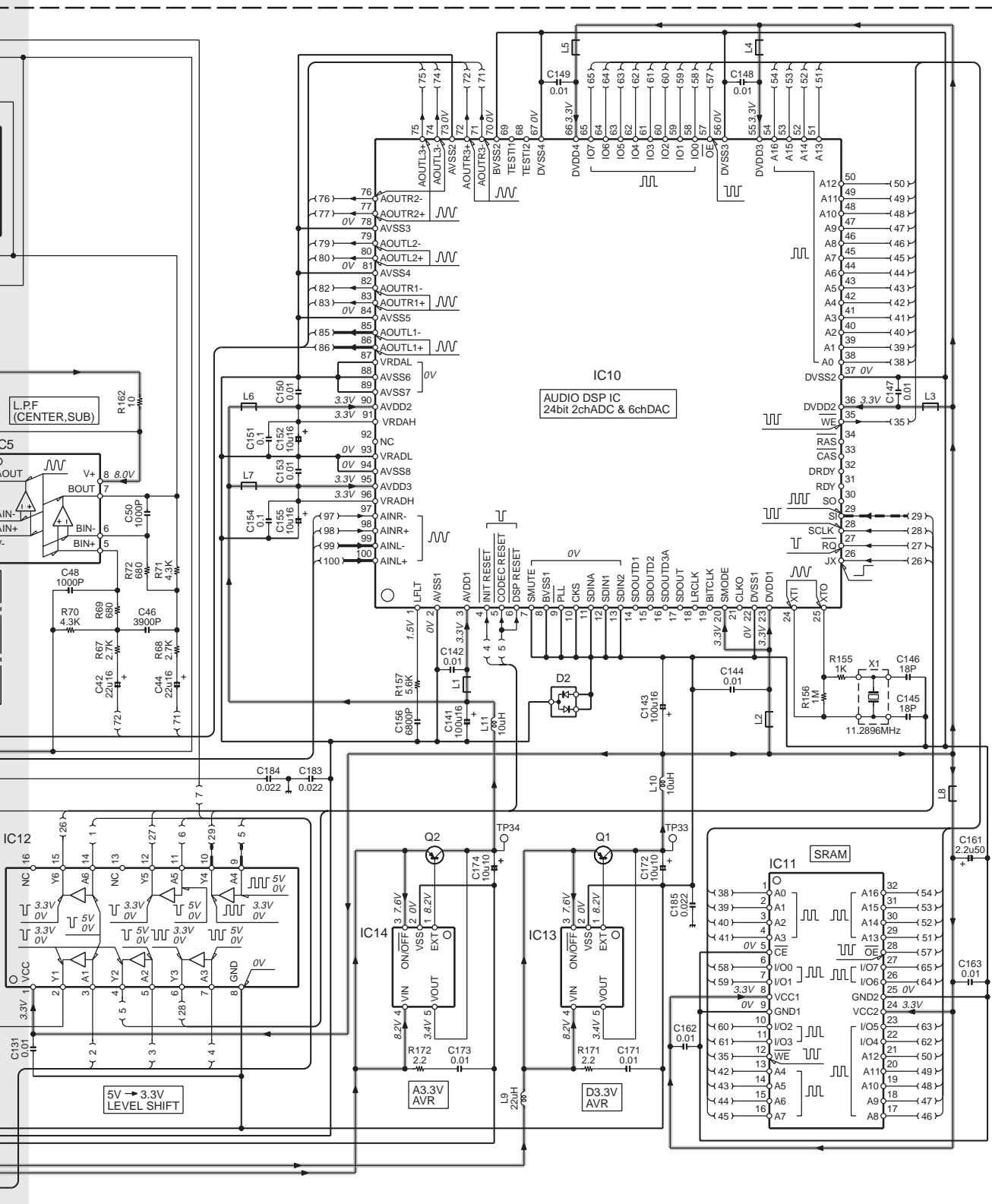
- DC voltages are as measured with a high impedance voltmeter. Values may vary slightly due to variations between individual instruments or/and units.

ELECTRIC UNIT (X34-306x-xx)

1
2
3
4
5
6
7



X34-305-
CN8



KDC-9026R, KDC-PSW9527, KDC-Q9027, KDC-X979 (2/4)

- IC1-6,8,9 : NJM4580M1
- IC7 : TC9214AF
- IC10 : AK7720AVT
- IC11 : IC63LV102415TG
- IC12 : TC74HC4050AFT
- IC13,14 : S-816A34AMCT2G
- Q1,2 : 2SB1188(Q,R)
- D1 : HZ6C2L
- D2 : DA204U

(X34-306x-xx)

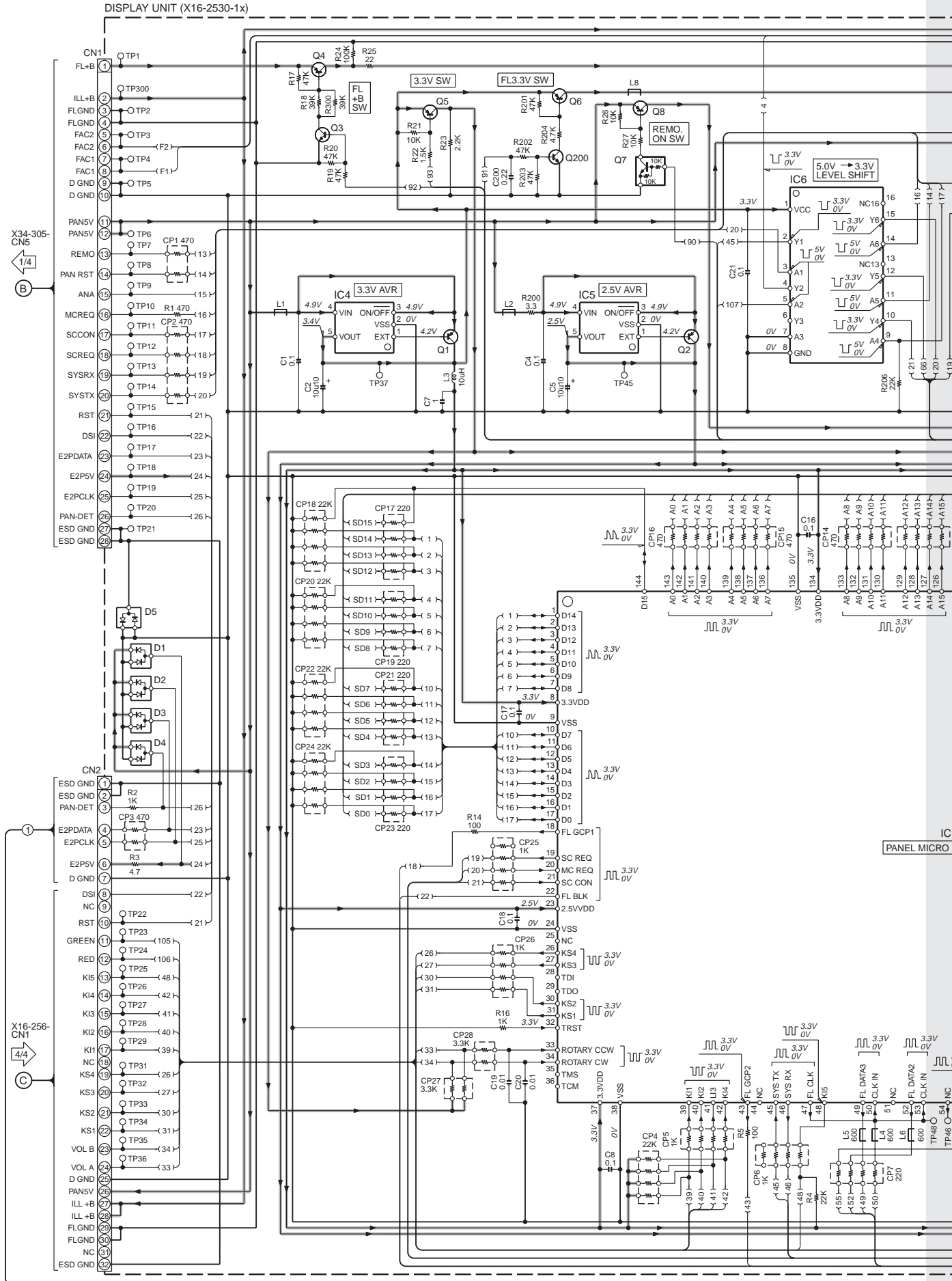
MODEL NAME	UNIT No.	A	C	B	D	W3
KDC-X979	0-10	NO	YES	NO		
KDC-9026R						
KDC-PSW9527						
KDC-W9027	2-71	YES	NO	YES		



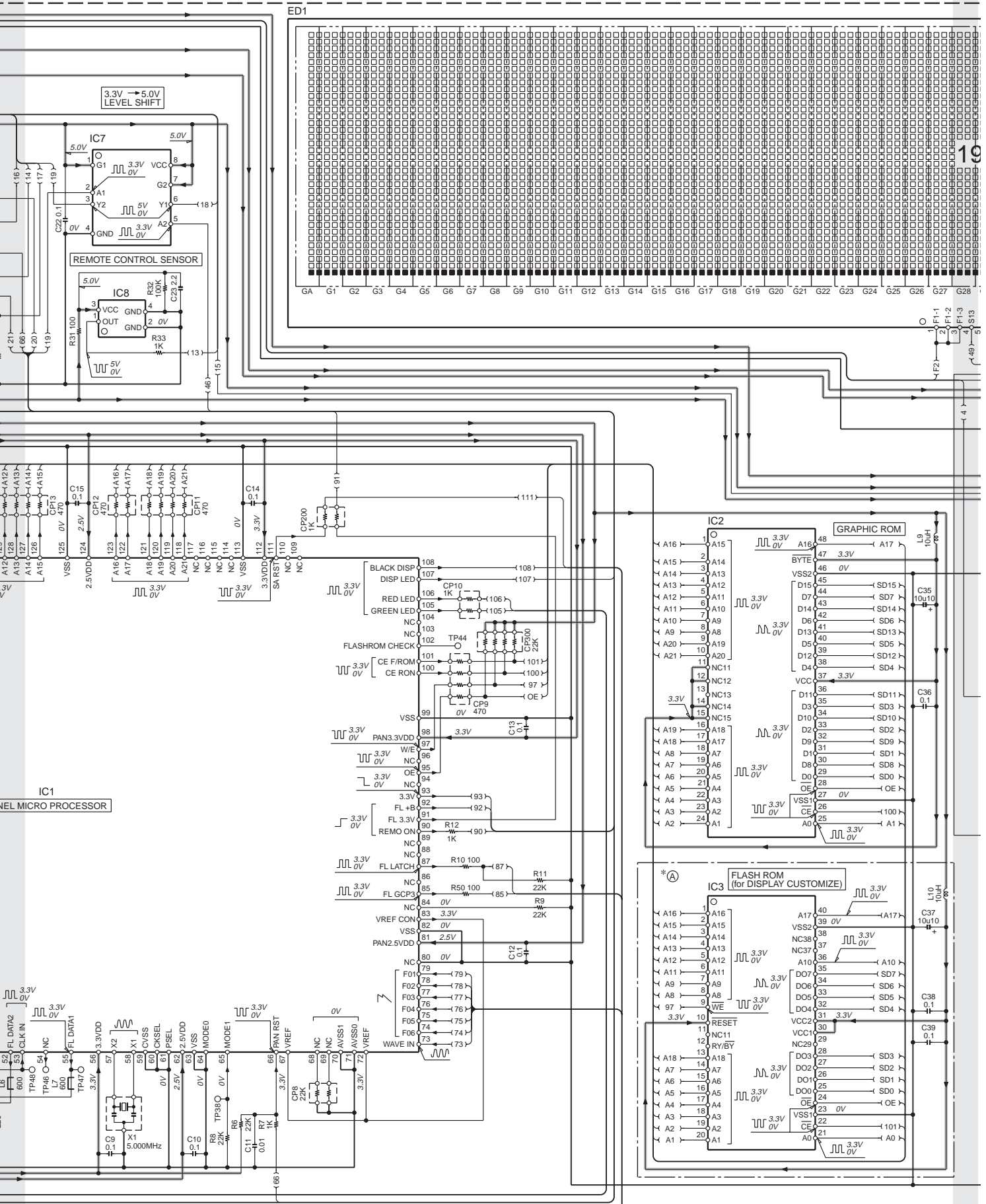
CAUTION : For continued safety, replace safety critical components only with manufacturer's recommended parts (refer to parts list).
 ⚠ Indicates safety critical components. To reduce the risk of electric shock, leakage-current or resistance measurements shall be carried out (exposed parts are acceptably insulated from the supply circuit) before the appliance is returned to the customer.
 • DC voltages are as measured with a high impedance voltmeter. Values may vary slightly due to variations between individual instruments or/and units.

1
2
3
4
5
6
7

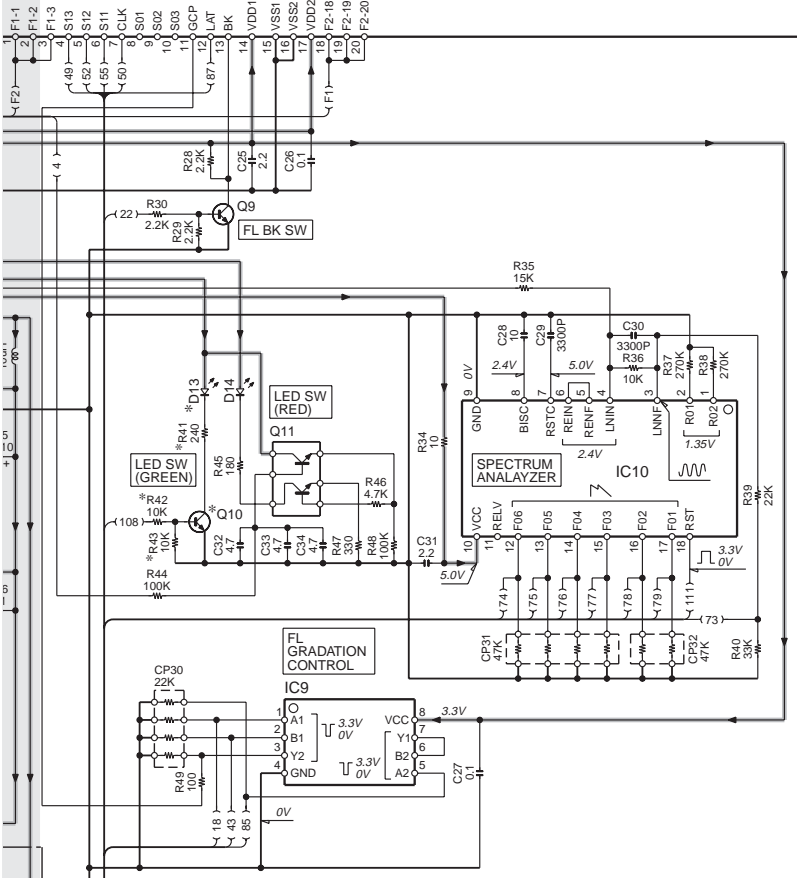
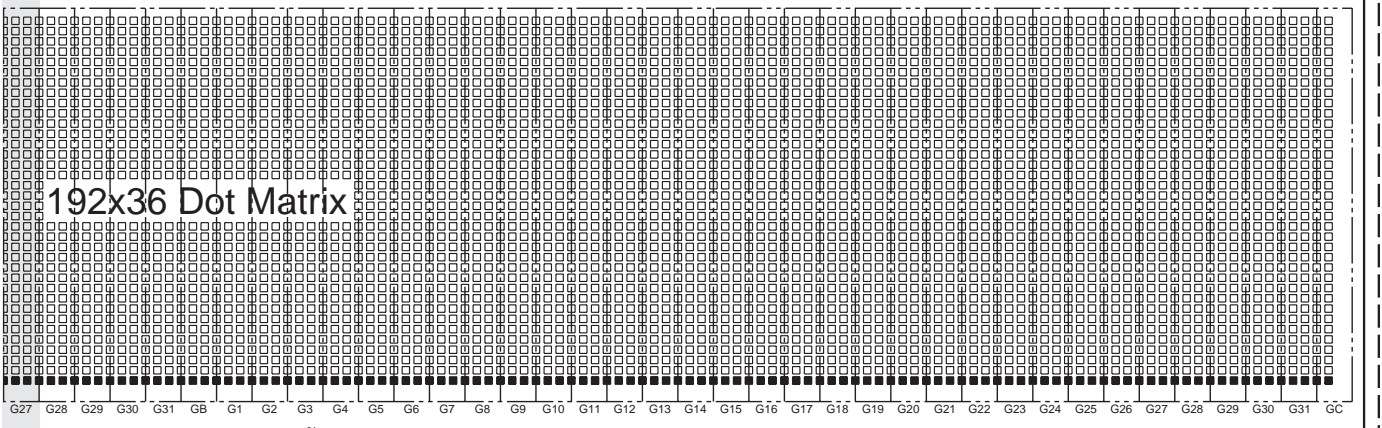
DISPLAY UNIT (X16-2530-1x)



KDC-9026R/PSW9527 KDC-W9027/X979

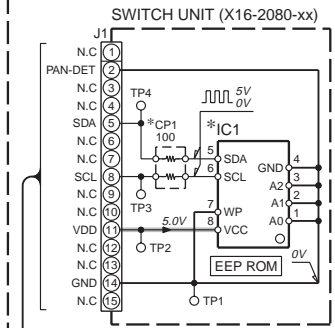


192x36 Dot Matrix



- IC1 : 703132GJ011-A
 - IC2 : MX23L3213TG114
 - IC3 : MBM29LV004T-90
 - IC4 : S-816A34AMCT2G
 - IC5 : S-816A25AMCT2G
 - IC6 : TC74HC4050AFT
 - IC7 : TC7WT126FU
 - IC8 : RS-171
 - IC9 : TC7WH32FU-F
 - IC10 : BA3830F
- (X16-2530-xx)
- | MODEL NAME | UNIT No. | (A) | D13 | Q10 | R41-43 |
|---|----------|-----|-----|-----|--------|
| KDC-X879
KDC-PSW9527 | 0-10 | YES | YES | YES | YES |
| FX-9100
KDC-X979
KDC-9026R
KDC-W9027 | 0-11 | NO | NO | NO | NO |
- Q1 : 2SB1188(Q,R)
 - Q2 : 2SB1132
 - Q3 : 2SC2713
 - Q4 : 2SA1163
 - Q5,6,8 : 2SA1774
 - Q7 : DTC114EE
 - Q9 : 2SC4667
 - Q10,200 : 2SC4617
 - Q11 : UMX2N
- D1-5 : DA204U
 - D13 : B30-1575-05
 - D14 : B30-2233-05
- GND LINE
 +B LINE

KDC-9026R, KDC-PSW9527, KDC-W9027, KDC-X979 (2/3)



IC1 : BR24C01AFV-W
(X16-2080-xx)

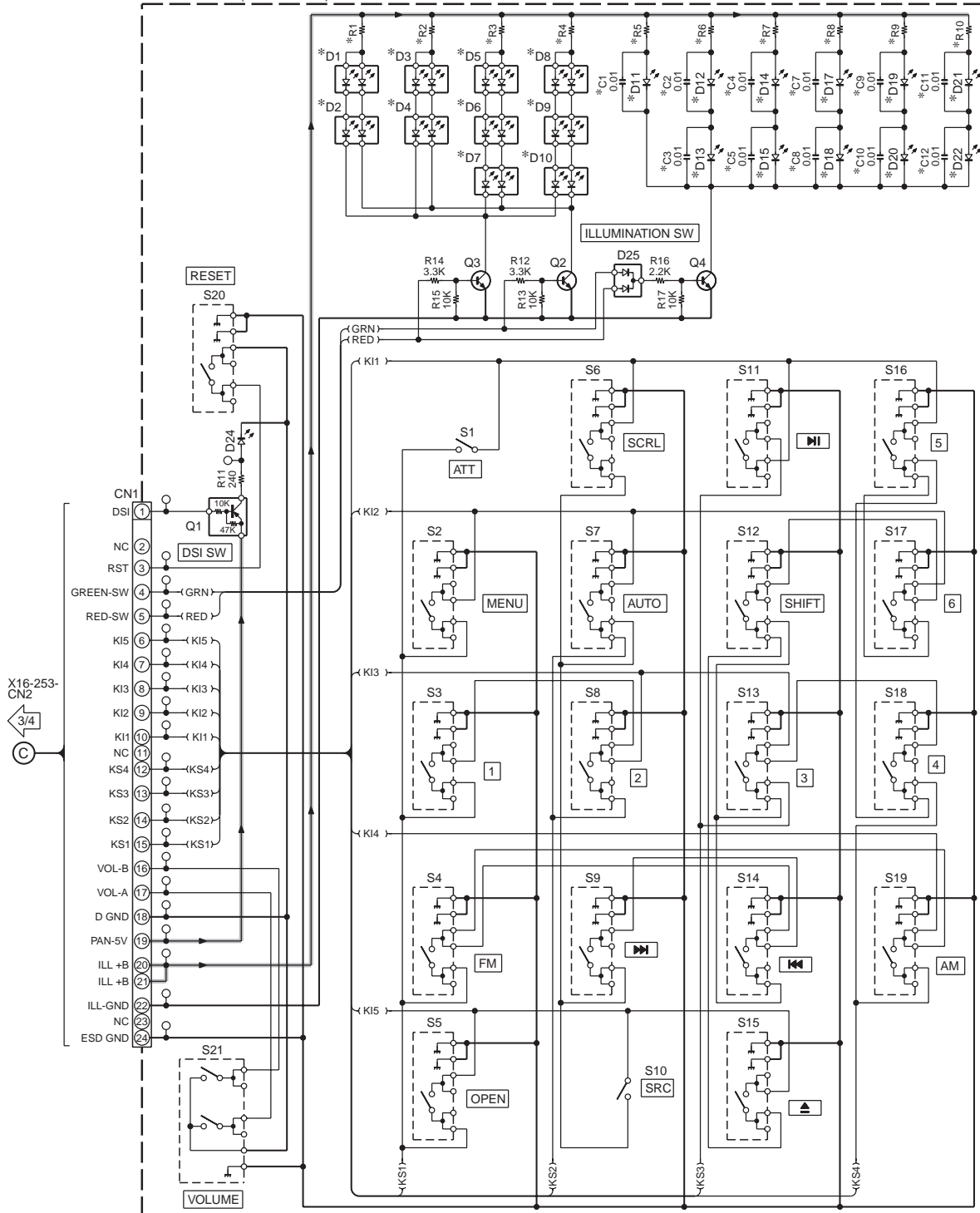
MODEL NAME	UNIT No.	CP1	IC1
KDC-X969			
KDC-9023R	0-10	YES	YES
KDC-PSW9524			
FX-9000	0-01	NO	NO

CAUTION : For continued safety, replace safety critical components only with manufacturer's recommended parts (refer to parts list).
 ▲ Indicates safety critical components. To reduce the risk of electric shock, leakage-current or resistance measurements shall be carried out (exposed parts are acceptably insulated from the supply circuit) before the appliance is returned to the customer.

- DC voltages are as measured with a high impedance voltmeter. Values may vary slightly due to variations between individual instruments or/and units.

KDC-9026R/PSW9527
KDC-W9027/X979

SWITCH UNIT (X16-2560-xx)



(X16-256x-xx)

MODEL NAME	UNIT No.	C1-5, 7-12	D1-10	D11-15, 17-22	R1,2	R3,4	R5	R6-10
KDC-X979/X879								
KDC-9026R	0-10	YES	SR/PG	BLUE	470	300	470	180
KDC-PSW9527								
KDC-W9027								
KDC-W8027								
KDC-MP925								
KDC-MPV8025								
KDC-MP825	0-11	NO	SR/PG	RED	560	390	750	560
KDC-8026								
KDC-W7027								
KDC-70277Y								
FX-9100	0-01	YES	HR/YG	BLUE	470	330	470	180

KDC-9026R, KDC-PSW9527, KDC-W9027, KDC-X979 (3/3)

- Q1 : DTA114YUA
- Q2-4 : 2SD2114K
- D24 : B30-1566-05
- D25 : DAN222

— GND LINE
— +B LINE

CAUTION : For continued safety, replace safety critical components only with manufacturer's recommended parts (refer to parts list).

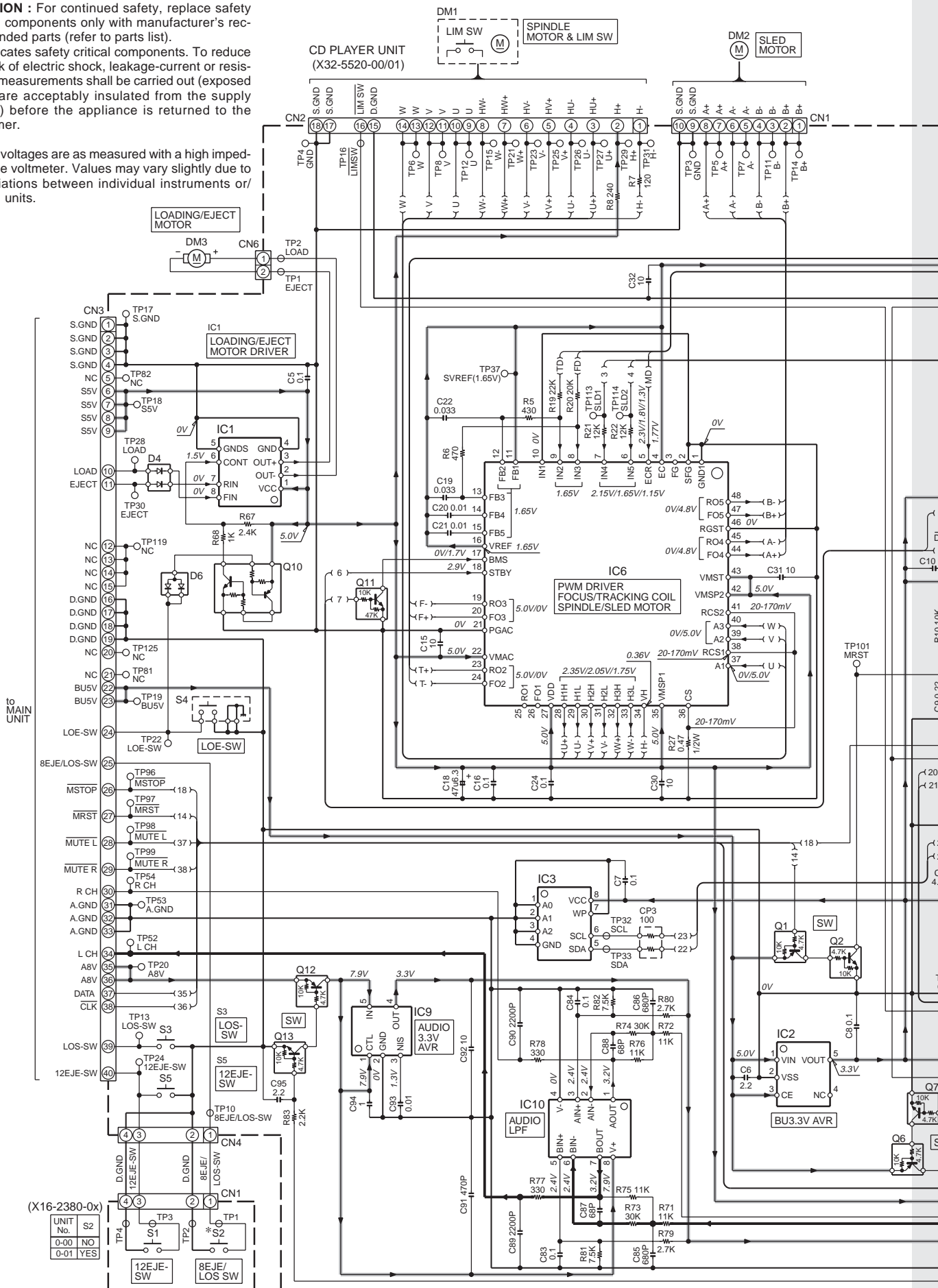
⚠ Indicates safety critical components. To reduce the risk of electric shock, leakage-current or resistance measurements shall be carried out (exposed parts are acceptably insulated from the supply circuit) before the appliance is returned to the customer.

- DC voltages are as measured with a high impedance voltmeter. Values may vary slightly due to variations between individual instruments or/and units.

CAUTION : For continued safety, replace safety critical components only with manufacturer's recommended parts (refer to parts list).




⚠ Indicates safety critical components. To reduce the risk of electric shock, leakage-current or resistance measurements shall be carried out (exposed parts are acceptably insulated from the supply circuit) before the appliance is returned to the customer.

- DC voltages are as measured with a high impedance voltmeter. Values may vary slightly due to variations between individual instruments or/and units.



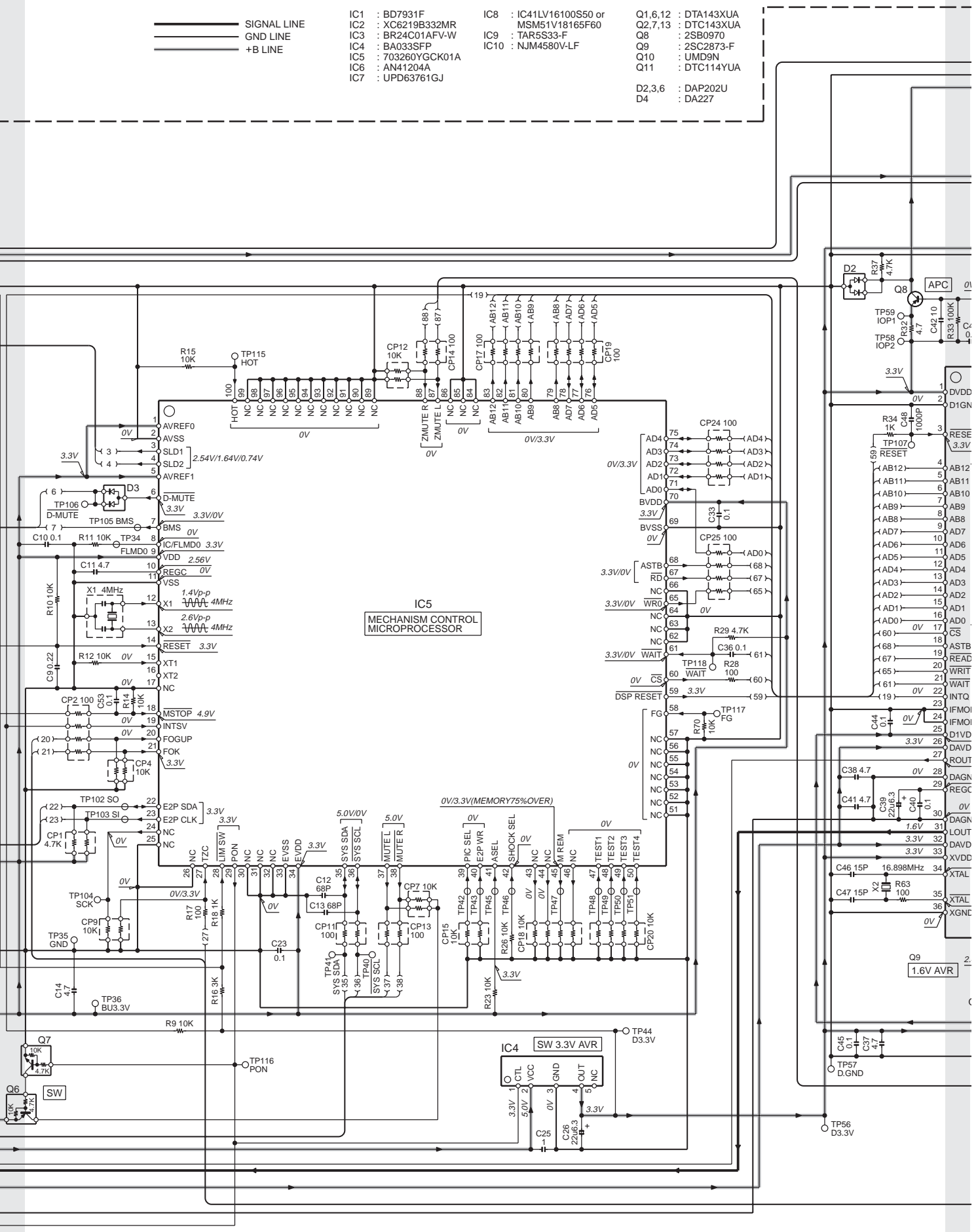
1
2
3
4
5
6
7

KDC-9026R/PSW9527 KDC-W9027/X979

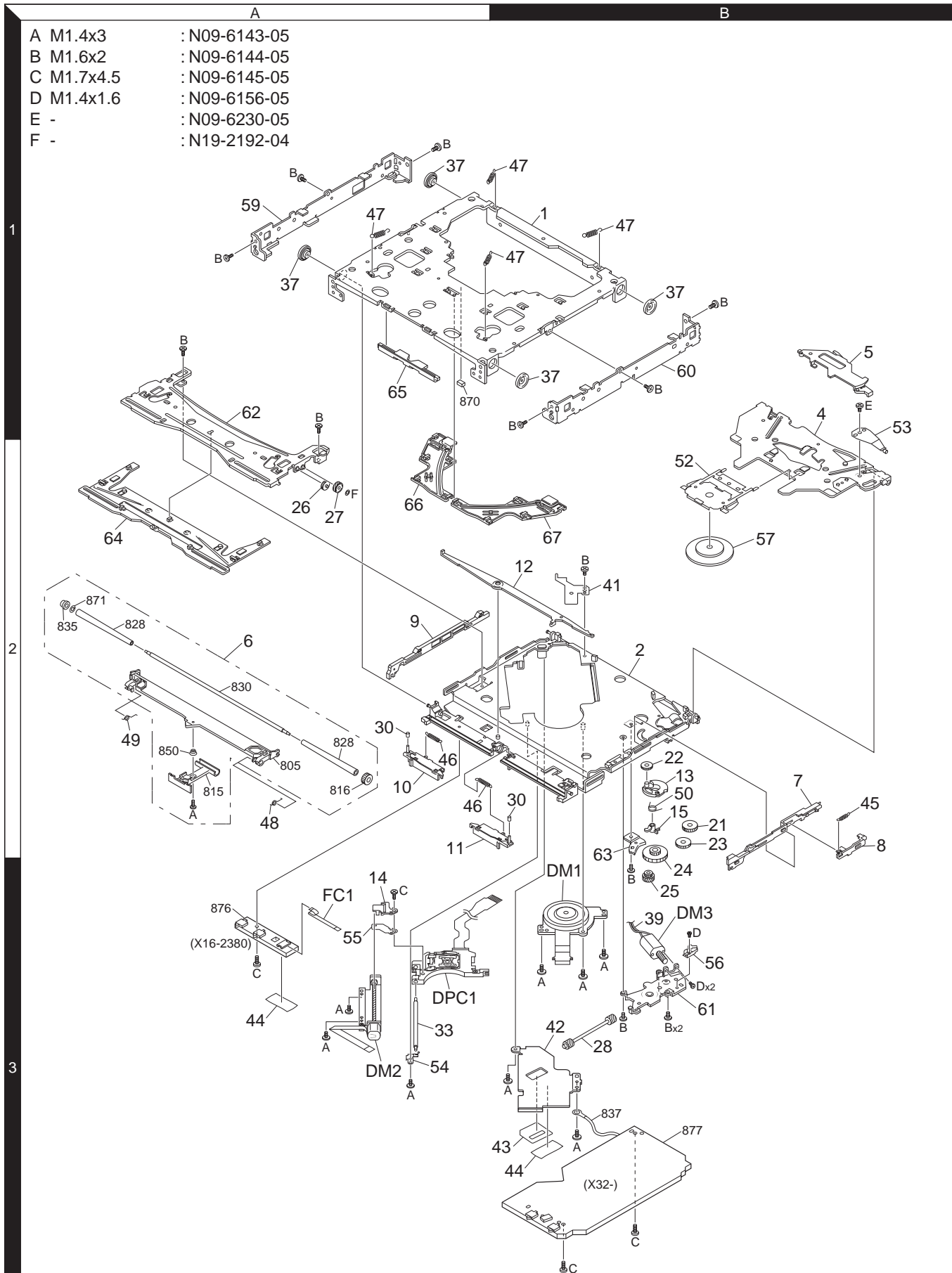
 SIGNAL LINE
 GND LINE
 +B LINE

IC1 : BD7931F
 IC2 : XC6219B332MR
 IC3 : BR24C01AFV-W
 IC4 : BA033SFP
 IC5 : 703260YGCK01A
 IC6 : AN41204A
 IC7 : UPD63761GJ
 IC8 : IC41LV16100S50 or
 MSM51V18165F60
 IC9 : TAR5S33-F
 IC10 : NJM4580V-LF

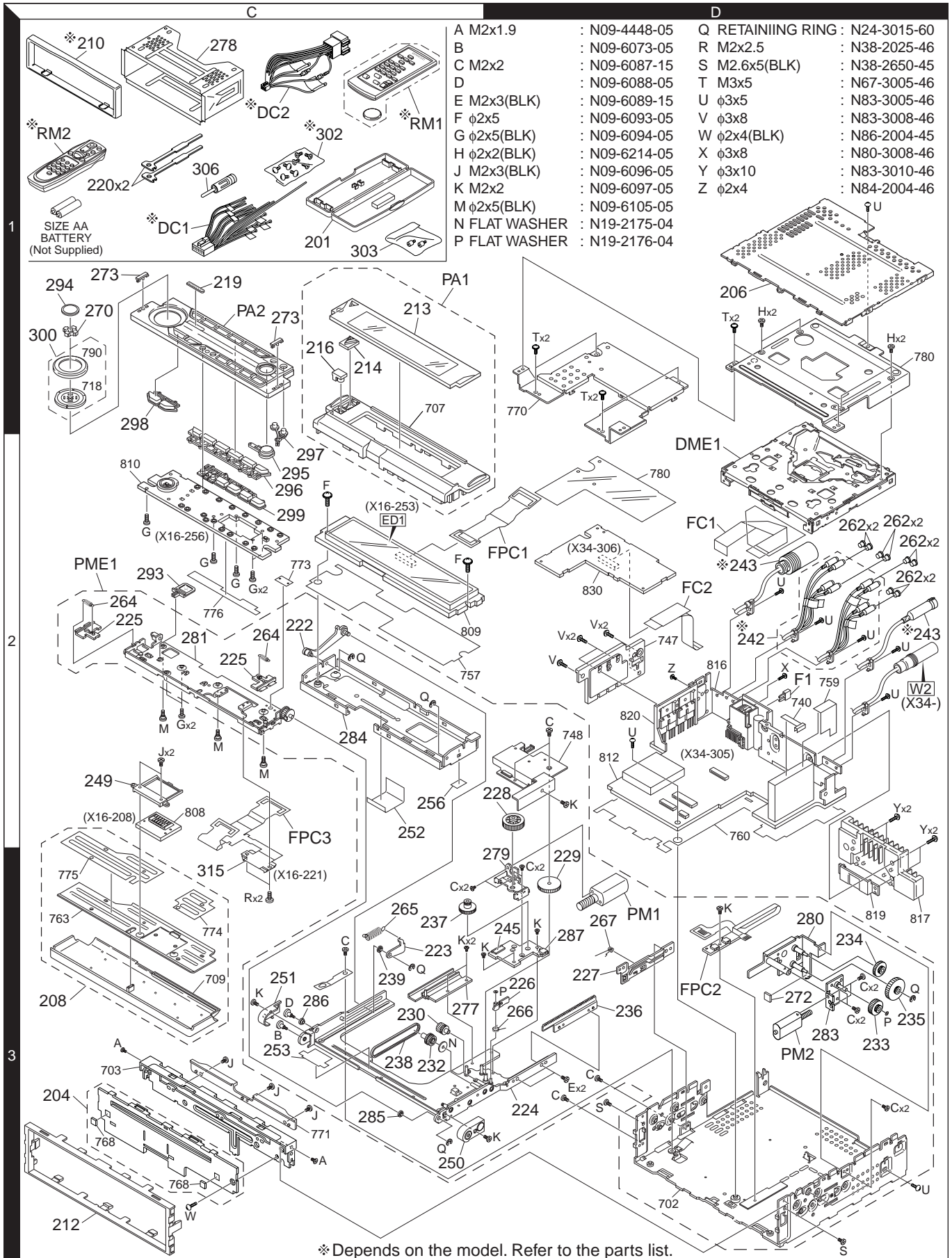
Q1,6,12 : DTA143XUA
 Q2,7,13 : DTC143XUA
 Q8 : 2SB0970
 Q9 : 2SC2873-F
 Q10 : UMD9N
 Q11 : DTC114YUA
 D2,3,6 : DAP202U
 D4 : DA227



EXPLODED VIEW (MECHANISM)



EXPLODED VIEW (UNIT)



Parts with the exploded numbers larger than 700 are not supplied.

PARTS LIST

* New parts

Parts without **Parts No.** are not supplied.

Les articles non mentionnés dans le **Parts No.** ne sont pas fournis.

Teile ohne **Parts No.** werden nicht geliefert.

Ref. No.	A d d	N e w	Parts No.	Description	Desti- nation
KDC-9026R/PSW9257/W9027/X979					
201	1C		A02-2731-13	PLASTIC CABINET ASSY	
204	3C		A22-2988-03	SUB PANEL ASSY	
206	1D	*	A52-0846-02	TOP PLATE	
PA1	1D	*	A64-3235-11	PANEL ASSY	K
PA1	1D	*	A64-3236-11	PANEL ASSY	M1
PA1	1D	*	A64-3237-11	PANEL ASSY	E1
PA1	1D	*	A64-3238-01	PANEL ASSY	E2
PA2	1C	*	A64-3249-02	PANEL ASSY	K
PA2	1C	*	A64-3252-02	PANEL ASSY	E2
PA2	1C	*	A64-3254-02	PANEL ASSY	E1
PA2	1C	*	A64-3255-02	PANEL ASSY	M1
PME1	2C	*	A10-5124-01	CHASSIS ASSY	
RM1	1C		A70-2026-05	REMOTE CONTROLLER ASSY (RC-420)	E1E2
RM2	1C		A70-2040-05	REMOTE CONTROLLER ASSY (RC-505)	KM1
-			B46-0100-50	WARRANTY CARD	
-			B46-0606-04	ID CARD	K
-			B46-0612-14	ID CARD	M1E1E2
-			B46-0648-13	USER CARD	K
-		*	B64-2741-00	INST. MANUAL (ENGLISH)	K
-		*	B64-2742-00	INST. MANUAL (FRE, SPA)	K
-		*	B64-2746-00	INST. MANUAL (ENGLISH)	E1E2
-		*	B64-2747-00	INST. MANUAL (FRE, GER)	E1E2
-		*	B64-2748-00	INST. MANUAL (DUT, ITA)	E1E2
-		*	B64-2749-00	INST. MANUAL (SPA, POR)	E1E2
-		*	B64-2758-00	INST. MANUAL (ENG, T-CHI)	M1
208	3C		B03-5015-03	DRESSING PLATE ASSY	E2
208	3C		B03-5016-03	DRESSING PLATE ASSY	KM1E1
210	1C		B07-3078-01	ESCUTCHEON	E2
210	1C		B07-3079-01	ESCUTCHEON	KM1E1
212	3C		B07-3080-02	ESCUTCHEON	
213	1D	*	B10-4522-11	FRONT GLASS	K
213	1D	*	B10-4523-11	FRONT GLASS	M1
213	1D	*	B10-4524-11	FRONT GLASS	E1
213	1D	*	B10-4525-01	FRONT GLASS	E2
214	1C	*	B12-1227-04	INDICATOR	
216	1C	*	B19-2248-04	LIGHTING BOARD	
219	1C		B43-1505-04	KENWOOD BADGE	
220	1C		D10-4674-04	LEVER	
222	2C		D10-4716-04	ARM ASSY	
223	3C		D10-4718-04	ARM ASSY	
224	3D		D10-4721-21	SLIDER ASSY	
225	2C		D10-4749-03	LEVER	
226	3D		D10-4750-04	LEVER	
227	3D		D12-0637-03	CAM	
228	2D		D13-2270-04	GEAR	
229	3D		D13-2272-04	GEAR	
230	3C		D13-2273-34	GEAR	
232	3C		D13-2274-24	GEAR	
233	3D		D13-2276-04	GEAR	
234	3D		D13-2277-04	GEAR	
235	3D		D13-2278-04	GEAR	
236	3D		D13-2289-03	RACK (GEAR)	

Ref. No.	A d d	N e w	Parts No.	Description	Desti- nation
237	3C		D13-2290-04	GEAR ASSY	
238	3C		D16-0617-15	BELT	
239	3C		D23-0958-04	RETAINER	
242	2D	*	E30-6315-05	CORD WITH PINPLUG	KM1
242	2D	*	E30-6316-05	CORD WITH PINPLUG	E1
242	2D	*	E30-6317-05	CORD WITH PINPLUG	E2
243	2D		E30-6216-05	CORD WITH DIN CONNECTOR	KM1
243	2D		E30-6217-05	CORD WITH DIN CONNECTOR	E1E2
245	3D		E41-0351-05	FLAT CABLE CONNECTOR	
DC1	1C		E30-6294-05	DC CORD	K
DC2	1C		E30-4942-05	DC CORD	M1E1E2
FC1	2D	*	E39-0604-05	FLAT CABLE (40PIN)	
FC2	2D	*	E39-0605-05	FLAT CABLE	
249	2C		F07-1121-03	COVER	
250	3C		F07-1122-03	COVER	
251	3C		F07-1123-03	COVER	
252	2C		F09-1794-04	SHEET	
253	3C		F09-1798-04	SHEET	
256	2D		F09-1842-04	SHEET	
262	2D		F29-0626-04	INSULATING COVER	
F1	2D		F52-0023-05	FUSE (MINI BLADE TYPE : 10A)	
264	2C		G01-3162-04	EXTENSION SPRING	
265	2C	*	G01-3221-04	EXTENSION SPRING	
266	3C		G01-3189-04	TORSION COIL SPRING	
267	3D		G01-3199-04	TORSION COIL SPRING	
270	2C		G11-3539-04	CUSHION	
272	3D		G11-3559-04	CUSHION	
273	1C		G11-3574-04	CUSHION (KEY)	M1E1
273	1C		G11-3575-04	CUSHION (KEY)	KE2
-		*	H10-4895-02	POLYSTYRENE FOAMED FIXTURE	
-			H21-1151-04	PROTECTION SHEET	
-			H25-0329-04	PROTECTION BAG (280X450X0.03)	KM1
-			H25-0337-04	PROTECTION BAG (180X300X0.03)	
-			H25-1111-04	PROTECTION BAG (280X450X0.03)	E1E2
-		*	H54-3041-03	ITEM CARTON CASE	K
-		*	H54-3042-03	ITEM CARTON CASE	M1
-		*	H54-3043-03	ITEM CARTON CASE	E1
-		*	H54-3044-03	ITEM CARTON CASE	E2
277	3C		J19-5220-03	HOLDER	
278	1C		J21-9823-03	MOUNTING HARDWARE ASSY	
279	3D		J21-9951-03	MOUNTING HARDWARE ASSY	
280	3D		J21-9954-02	MOUNTING HARDWARE ASSY	
281	2C	*	J21-9996-32	MOUNTING HARDWARE ASSY	
283	3D		J21-9997-03	MOUNTING HARDWARE ASSY	
284	2C		J21-9999-02	MOUNTING HARDWARE ASSY	
285	3C		J31-1055-04	COLLAR	
286	3C		J31-1056-04	COLLAR	
287	3D		J74-1444-14	RIGID PRINTED WIRING BOARD	
FPC1	2D		J84-0153-05	FLEXIBLE PRINTED WIRING BOARD	
FPC2	3D		J84-0156-04	FLEXIBLE PRINTED WIRING BOARD	
293	2C		K24-4007-04	KNOB (OPEN)	
294	1C	*	K24-4106-03	KNOB (ATT)	
295	1C	*	K24-4167-03	KNOB (SRC)	

K : KDC-X979 E1 : KDC-PSW9527 E2 : KDC-W9027 M1 : KDC-9026R

△ Indicates safety critical components.

PARTS LIST

* New parts

Parts without **Parts No.** are not supplied.

Les articles non mentionnés dans le **Parts No.** ne sont pas fournis.

Teile ohne **Parts No.** werden nicht geliefert.

KDC-9026R/PSW9257/W9027/X979

Ref. No.	A d d	N e w	Parts No.	Description	Desti- nation
296	1C	*	K25-1604-02	KNOB (PRESET1-6)	M1E1
296	1C	*	K25-1632-02	KNOB (PRESET1-6)	KE2
297	2C	*	K25-1606-03	KNOB (EJECT)	M1E1
297	2C	*	K25-1634-03	KNOB (EJECT)	KE2
298	1C	*	K25-1610-03	KNOB (Q, PLAY)	KE2
298	1C	*	K25-1635-03	KNOB (Q, PLAY)	M1E1
299	2C	*	K25-1611-02	KNOB (FM/AM, SKIP)	M1E1
299	2C	*	K25-1633-02	KNOB (FM/AM, SKIP)	KE2
300	1C	*	K29-7082-03	KNOB ASSY (VOL.)	
302	1C		N99-1723-05	SCREW SET	KM1
303	1C		N99-1734-05	SCREW SET	
A	3D		N09-4448-05	MACHINE SCREW	
B	3C		N09-6073-05	STEPPED SCREW	
C	3D	*	N09-6087-15	MACHINE SCREW	
D	3C		N09-6088-05	STEPPED SCREW	
E	3D	*	N09-6089-15	MACHINE SCREW	
F	2C		N09-6093-05	TAPTITE SCREW	
G	2C		N09-6094-05	MACHINE SCREW	
H	1D	*	N09-6214-05	MACHINE SCREW	
J	2C		N09-6096-05	MACHINE SCREW	
K	3C		N09-6097-05	MACHINE SCREW	
M	2C		N09-6105-05	STEPPED SCREW	
N	2C		N19-2175-04	FLAT WASHER	
P	3D		N19-2176-04	FLAT WASHER	
Q	2C		N24-3015-60	E TYPE RETAINING RING	
R	3C		N38-2025-46	PAN HEAD MACHIN SCREW	
S	3D		N38-2650-45	PAN HEAD MACHIN SCREW	
T	2D		N67-3005-46	PAN HEAD SEMS SCREW	
U	2D		N83-3005-46	PAN HEAD TAPTITE SCREW	
V	2D		N83-3008-46	PAN HEAD TAPTITE SCREW	
W	3C		N86-2004-45	BINDING HEAD TAPTITE SCREW	
RLED			RK73GB2A102J	CHIP R 1.0K J 1/10W	
RPH			RK73GB2A104J	CHIP R 100K J 1/10W	
SW1			S68-0871-05	PUSH SWITCH (PANEL MECHA)	
SW2-3			S68-0863-05	PUSH SWITCH (PANEL MECHA)	
SW4			S68-0864-05	PUSH SWITCH (PANEL MECHA)	
306	1C		T90-0552-05	ANTENNA ADAPTOR	M1E1E2
PH			T95-0212-05	OPTO ISOLATOR (PANEL MECHA)	
PM1	3D		T42-1076-14	MOTOR ASSY	
PM2	3D	*	T42-1077-24	MOTOR ASSY	
DME1	2D	*	X92-4780-00	MECHANISM ASSY (DXM-7500V)	
SUB CIRCUIT UNIT (X16-2080-10)					
J1			E59-0833-15	RECTANGULAR PLUG	
CP1			R90-1019-05	MULTI-COMP 100 X2	
IC1			BR24C01AFV-W	MEMORY IC	
SUB CIRCUIT UNIT (X16-2210-10)					
315	3C		E58-0968-05	RECTANGULAR RECEPTACLE	
FPC3	2C		J84-0154-05	FLEXIBLE PRINTED WIRING BOARD	

Ref. No.	A d d	N e w	Parts No.	Description	Desti- nation
SWITCH UNIT/CD MECHANISM (X16-2380-00)					
CN1		*	E41-2036-05	FLAT CABLE CONNECTOR	
S1,2			S68-0863-05	PUSH SWITCH	
DISPLAY UNIT (X16-2530-10/11)					
D13			B30-1575-05	LED (1608, YG)	
D14			B30-2233-05	LED (HR 1608)	KM1E1
C1			CK73GB1C104K	CHIP C 0.10UF K	
C1			CK73GB1H104K	CHIP C 0.10UF K	
C2			C92-0628-05	CHIP-TAN 10UF 10WV	
C4			CK73GB1C104K	CHIP C 0.10UF K	
C4			CK73GB1H104K	CHIP C 0.10UF K	
C5			C92-0628-05	CHIP-TAN 10UF 10WV	
C7			CK73GB0J105K	CHIP C 1.0UF K	
C8-10			CK73GB1C104K	CHIP C 0.10UF K	
C8-10			CK73GB1H104K	CHIP C 0.10UF K	
C11			CK73GB1H103K	CHIP C 0.010UF K	
C12-18			CK73GB1C104K	CHIP C 0.10UF K	
C12-18			CK73GB1H104K	CHIP C 0.10UF K	
C19,20			CK73GB1H103K	CHIP C 0.010UF K	
C21,22			CK73GB1C104K	CHIP C 0.10UF K	
C21,22			CK73GB1H104K	CHIP C 0.10UF K	
C23			CK73FB1A225K	CHIP C 2.2UF K	
C25			CK73FB1A225K	CHIP C 2.2UF K	
C26			C93-1174-05	CERAMIC 0.1UF 100WV	
C27			CK73GB1C104K	CHIP C 0.10UF K	
C27			CK73GB1H104K	CHIP C 0.10UF K	
C28			CK73EB0J106K	CHIP C 10UF K	
C29,30			CK73GB1H332K	CHIP C 3300PF K	
C31			CK73FB1A225K	CHIP C 2.2UF K	
C32-34			CK73FB0J475K	CHIP C 4.7UF K	
C35			C92-0628-05	CHIP-TAN 10UF 10WV	
C36			CK73GB1C104K	CHIP C 0.10UF K	
C36			CK73GB1H104K	CHIP C 0.10UF K	
C37			C92-0628-05	CHIP-TAN 10UF 10WV	KM1E1
C38,39			CK73GB1C104K	CHIP C 0.10UF K	KM1E1
C38,39			CK73GB1H104K	CHIP C 0.10UF K	KM1E1
C200			CK73GB1A224K	CHIP C 0.22UF K	
CN1			E40-9364-05	FLAT CABLE CONNECTOR (28PIN)	
CN2			E41-0166-05	FLAT CABLE CONNECTOR (32PIN)	
L1,2			L92-0321-05	CHIP FERRITE	
L3			L40-1005-34	SMALL FIXED INDUCTOR	
L3			L40-1005-68	SMALL FIXED INDUCTOR	
L4-8			L92-0332-05	CHIP FERRITE	
L9			L40-1005-34	SMALL FIXED INDUCTOR	E2
L9			L40-1005-68	SMALL FIXED INDUCTOR	E2
L9,10			L40-1005-34	SMALL FIXED INDUCTOR	KM1E1
L9,10			L40-1005-68	SMALL FIXED INDUCTOR	KM1E1
X1			L78-0868-05	RESONATOR (5.00MHZ)	
CP1			R90-1022-05	MULTI-COMP 470 X2	
CP2			RK74HB1J471J	CHIP-COM 470 J 1/16W	
CP3			R90-1022-05	MULTI-COMP 470 X2	

K : KDC-X979 E1 : KDC-PSW9527 E2 : KDC-W9027 M1 : KDC-9026R

△ Indicates safety critical components.

PARTS LIST

* New parts

Parts without **Parts No.** are not supplied.

Les articles non mentionnés dans le **Parts No.** ne sont pas fournis.

Teile ohne **Parts No.** werden nicht geliefert.

DISPLAY UNIT (X16-2530-10/11)

Ref. No.	A d	N e w	Parts No.	Description	Desti- nation
CP4		*	RK74HB1J223J	CHIP-COM 22K J 1/16W	
CP5,6			RK74HB1J102J	CHIP-COM 1.0K J 1/16W	
CP7			RK74HB1J221J	CHIP-COM 220 J 1/16W	
CP8			R90-1020-05	MULTI-COMP 22K X2	
CP9			RK74HB1J471J	CHIP-COM 470 J 1/16W	
CP10			RK74GA1J102J	CHIP-COM 1.0K J 1/16W	
CP11			RK74HB1J471J	CHIP-COM 470 J 1/16W	
CP12			R90-1022-05	MULTI-COMP 470 X2	
CP13-16			RK74HB1J471J	CHIP-COM 470 J 1/16W	
CP17			RK74HB1J221J	CHIP-COM 220 J 1/16W	
CP18		*	RK74HB1J223J	CHIP-COM 22K J 1/16W	
CP19			RK74HB1J221J	CHIP-COM 220 J 1/16W	
CP20		*	RK74HB1J223J	CHIP-COM 22K J 1/16W	
CP21			RK74HB1J221J	CHIP-COM 220 J 1/16W	
CP22		*	RK74HB1J223J	CHIP-COM 22K J 1/16W	
CP23			RK74HB1J221J	CHIP-COM 220 J 1/16W	
CP24		*	RK74HB1J223J	CHIP-COM 22K J 1/16W	
CP25,26			RK74HB1J102J	CHIP-COM 1.0K J 1/16W	
CP27,28			R90-1021-05	MULTI-COMP 3.3K X2	
CP30		*	RK74HB1J223J	CHIP-COM 22K J 1/16W	
CP31			RK74HB1J473J	CHIP-COM 47K J 1/16W	
CP32			R90-0723-05	MULTI-COMP 47K X2	
CP200			RK74GA1J102J	CHIP-COM 1.0K J 1/16W	
CP300		*	RK74HB1J223J	CHIP-COM 22K J 1/16W	
R1			RK73GB2A471J	CHIP R 470 J 1/10W	
R2			RK73GB2A102J	CHIP R 1.0K J 1/10W	
R3			RK73GB2A4R7J	CHIP R 4.7 J 1/10W	
R4			RK73GB2A223J	CHIP R 22K J 1/10W	
R5			RK73GB2A101J	CHIP R 100 J 1/10W	
R6			RK73GB2A223J	CHIP R 22K J 1/10W	
R7			RK73GB2A102J	CHIP R 1.0K J 1/10W	
R8,9			RK73GB2A223J	CHIP R 22K J 1/10W	
R10			RK73GB2A101J	CHIP R 100 J 1/10W	
R11			RK73GB2A223J	CHIP R 22K J 1/10W	
R12			RK73GB2A102J	CHIP R 1.0K J 1/10W	
R14			RK73GB2A101J	CHIP R 100 J 1/10W	
R16			RK73GB2A102J	CHIP R 1.0K J 1/10W	
R17			RK73GB2A473J	CHIP R 47K J 1/10W	
R18			RK73GB2A393J	CHIP R 39K J 1/10W	
R19,20			RK73GB2A473J	CHIP R 47K J 1/10W	
R21			RK73GB2A103J	CHIP R 10K J 1/10W	
R22			RK73GB2A152J	CHIP R 1.5K J 1/10W	
R23			RK73GB2A222J	CHIP R 2.2K J 1/10W	
R24			RK73GB2A104J	CHIP R 100K J 1/10W	
R25			RK73GB2A220J	CHIP R 22 J 1/10W	
R26,27			RK73GB2A103J	CHIP R 10K J 1/10W	
R28-30			RK73GB2A222J	CHIP R 2.2K J 1/10W	
R31			RK73GB2A101J	CHIP R 100 J 1/10W	
R32			RK73GB2A104J	CHIP R 100K J 1/10W	
R33			RK73GB2A102J	CHIP R 1.0K J 1/10W	
R34			RK73GB2A100J	CHIP R 10 J 1/10W	
R35			RK73GB2A153J	CHIP R 15K J 1/10W	
R36			RK73GB2A103J	CHIP R 10K J 1/10W	
R37,38			RK73GB2A274J	CHIP R 270K J 1/10W	
R39			RK73GB2A223J	CHIP R 22K J 1/10W	

Ref. No.	A d	N e w	Parts No.	Description	Desti- nation
R40			RK73GB2A333J	CHIP R 33K J 1/10W	
R41			RK73GB2A241J	CHIP R 240 J 1/10W	KM1E1
R42,43			RK73GB2A103J	CHIP R 10K J 1/10W	KM1E1
R44			RK73GB2A104J	CHIP R 100K J 1/10W	
R45			RK73GB2A181J	CHIP R 180 J 1/10W	
R46			RK73GB2A472J	CHIP R 4.7K J 1/10W	
R47			RK73GB2A331J	CHIP R 330 J 1/10W	
R48			RK73GB2A104J	CHIP R 100K J 1/10W	
R49,50			RK73GB2A101J	CHIP R 100 J 1/10W	
R200		*	RK73EB2E3R3J	CHIP R 3.3 J 1/4W	
R201-203			RK73GB2A473J	CHIP R 47K J 1/10W	
R204			RK73GB2A472J	CHIP R 4.7K J 1/10W	
R206			RK73GB2A223J	CHIP R 22K J 1/10W	
R300			RK73GB2A393J	CHIP R 39K J 1/10W	
D1-5			DA204U	DIODE	
ED1		*	MN19236A	FLUORESCENT INDICATOR TUBE	
IC1		*	703132GJ011-A	MICROCONTROLLER IC	
IC2		*	MX23L3213TG114	ROM IC	
IC3		*	MBM29LV004T-90	ROM IC	KM1E1
IC4		*	S-816A34AMCT2G	ANALOGUE IC	
IC5		*	S-816A25AMCT2G	ANALOGUE IC	
IC6			TC74HC4050AFT	MOS-IC	
IC7			TC7WT126FU	MOS-IC	
IC8			RS-171	ANALOGUE IC	
IC9		*	TC7WH32FU-F	MOS-IC	
IC10			BA3830F	ANALOGUE IC	
Q1			2SB1188 (Q, R)	TRANSISTOR	
Q2			2SB1132	TRANSISTOR	
Q3			2SC2713	TRANSISTOR	
Q4			2SA1163	TRANSISTOR	
Q5,6			2SA1774	TRANSISTOR	
Q7			DTC114EE	DIGITAL TRANSISTOR	
Q8			2SA1774	TRANSISTOR	
Q9			2SC4667	TRANSISTOR	
Q10			2SC4617	TRANSISTOR	KM1E1
Q11			UMX2N	TRANSISTOR	
Q200			2SC4617	TRANSISTOR	
SWITCH UNIT (X16-2560-10)					
D1-10			B30-1605-05	LED (2COLOR PG/RED)	
D11-15			B30-1564-05	LED (1608, BLUE)	
D17-22			B30-1564-05	LED (1608, BLUE)	
D24			B30-1566-05	LED (1608, RED)	
C1-5			CK73GB1H103K	CHIP C 0.010UF K	
C7-12			CK73GB1H103K	CHIP C 0.010UF K	
CN1			E41-0419-05	FLAT CABLE CONNECTOR (24PIN)	
R1,2			RK73FB2B471J	CHIP R 470 J 1/8W	
R3,4			RK73FB2B301J	CHIP R 300 J 1/8W	
R5			RK73FB2B471J	CHIP R 470 J 1/8W	
R6-10			RK73FB2B181J	CHIP R 180 J 1/8W	
R11			RK73GB2A241J	CHIP R 240 J 1/10W	
R12			RK73GB2A332J	CHIP R 3.3K J 1/10W	
R13			RK73GB2A103J	CHIP R 10K J 1/10W	
R14			RK73GB2A332J	CHIP R 3.3K J 1/10W	

PARTS LIST

* New parts

Parts without **Parts No.** are not supplied.

Les articles non mentionnés dans le **Parts No.** ne sont pas fournis.

Teile ohne **Parts No.** werden nicht geliefert.

SWITCH UNIT (X16-2560-10)

Ref. No.	Add	New	Parts No.	Description	Destination
R15			RK73GB2A103J	CHIP R 10K J 1/10W	
R16			RK73GB2A222J	CHIP R 2.2K J 1/10W	
R17			RK73GB2A103J	CHIP R 10K J 1/10W	
S1			S70-0901-05	TACT SWITCH	
S2-9		*	S70-0912-05	TACT SWITCH	
S10			S70-0901-05	TACT SWITCH	
S11-20		*	S70-0912-05	TACT SWITCH	
S21			T99-0445-05	ROTARY ENCODER	
D25			DAN222	DIODE	
Q1			DTA114YUA	DIGITAL TRANSISTOR	
Q1			UN5114	DIGITAL TRANSISTOR	
Q2-4			2SD2114K	TRANSISTOR	
CD PLAYER UNIT (X32-5520-00)					
C5			CK73GB1H104K	CHIP C 0.10UF K	
C6			CK73GB0J225K	CHIP C 2.2UF K	
C8			CK73GB1H104K	CHIP C 0.10UF K	
C9			CK73GB1A224K	CHIP C 0.22UF K	
C10			CK73GB1H104K	CHIP C 0.10UF K	
C11			CK73FB0J475K	CHIP C 4.7UF K	
C12,13			CC73GCH1H680J	CHIP C 68PF J	
C14			CK73FB0J475K	CHIP C 4.7UF K	
C15			CK73FB0J106M	CHIP C 10UF M	
C16			CK73GB1H104K	CHIP C 0.10UF K	
C18			C92-1685-05	ELECTRO 47UF 6.3WV	
C19			CK73GB1H333K	CHIP C 0.033UF K	
C20,21			CK73GB1H103K	CHIP C 0.010UF K	
C22			CK73GB1H333K	CHIP C 0.033UF K	
C23,24			CK73GB1H104K	CHIP C 0.10UF K	
C25			CK73GB0J105K	CHIP C 1.0UF K	
C26			C92-1792-05	ELECTRO 22UF 6.3WV	
C30-32			CK73FB0J106M	CHIP C 10UF M	
C33			CK73GB1H104K	CHIP C 0.10UF K	
C36			CK73GB1H104K	CHIP C 0.10UF K	
C37,38			CK73FB0J475K	CHIP C 4.7UF K	
C39			C92-1792-05	ELECTRO 22UF 6.3WV	
C40			CK73GB1H104K	CHIP C 0.10UF K	
C41			CK73FB0J475K	CHIP C 4.7UF K	
C42			CK73FB0J106M	CHIP C 10UF M	
C43-45			CK73GB1H104K	CHIP C 0.10UF K	
C46,47			CC73GCH1H150J	CHIP C 15PF J	
C48			CK73GB1H102K	CHIP C 1000PF K	
C50			CK73GB1H104K	CHIP C 0.10UF K	
C51			CK73GB1H103K	CHIP C 0.010UF K	
C52			CC73GCH1H470J	CHIP C 47PF J	
C53			CK73GB1H104K	CHIP C 0.10UF K	
C54			CC73GCH1H470J	CHIP C 47PF J	
C55-57			CK73GB1H104K	CHIP C 0.10UF K	
C58			CC73GCH1H020C	CHIP C 2.0PF C	
C59			CC73GCH1H030C	CHIP C 3.0PF C	
C60			CK73GB1H104K	CHIP C 0.10UF K	
C61			CC73GCH1H470J	CHIP C 47PF J	
C62			CC73GCH1H220J	CHIP C 22PF J	
C63			CK73GB1H103K	CHIP C 0.010UF K	

Ref. No.	Add	New	Parts No.	Description	Destination
C64			CK73GB1H104K	CHIP C 0.10UF K	
C65			CK73GB1H682K	CHIP C 6800PF K	
C66			CK73GB1H332K	CHIP C 3300PF K	
C67			CK73GB1H103K	CHIP C 0.010UF K	
C68			CK73GB1H104K	CHIP C 0.10UF K	
C69			CK73GB1H103K	CHIP C 0.010UF K	
C70,71			CK73GB1H102K	CHIP C 1000PF K	
C72			CK73GB1H104K	CHIP C 0.10UF K	
C73		*	CK73EB0J226M	CHIP C 22UF M	
C74			CK73GB1H104K	CHIP C 0.10UF K	
C75			CK73GB0J225K	CHIP C 2.2UF K	
C76			CK73FB0J475K	CHIP C 4.7UF K	
C80			CK73GB0J225K	CHIP C 2.2UF K	
C83,84			CK73GB1H104K	CHIP C 0.10UF K	
C85,86			CC73GCH1H681J	CHIP C 680PF J	
C87,88			CC73GCH1H680J	CHIP C 68PF J	
C89,90			CK73GB1H222K	CHIP C 2200PF K	
C91			CC73GCH1H471J	CHIP C 470PF J	
C92			CK73FB0J106M	CHIP C 10UF M	
C93			CK73GB1H103K	CHIP C 0.010UF K	
C94			CK73GB0J105K	CHIP C 1.0UF K	
C95			CK73GB0J225K	CHIP C 2.2UF K	
CN1		*	E41-2046-05	FLAT CABLE CONNECTOR	
CN2		*	E41-2044-05	FLAT CABLE CONNECTOR	
CN3		*	E41-2040-05	FLAT CABLE CONNECTOR	
CN4		*	E41-0336-05	FLAT CABLE CONNECTOR	
CN5		*	E41-2085-05	FLAT CABLE CONNECTOR	
CN6		*	E41-2050-05	SOCKET FOR PIN ASSY	
X1		*	L78-0895-05	RESONATOR (4.00MHZ)	
X2			L77-2808-05	CRYSTAL RESONATOR (16.897849MHZ)	
CP1			RK74GA1J472J	CHIP-COM 4.7K J 1/16W	
CP2			RK74HB1J101J	CHIP-COM 100 J 1/16W	
CP4			RK74GA1J103J	CHIP-COM 10K J 1/16W	
CP7			RK74GA1J103J	CHIP-COM 10K J 1/16W	
CP9			RK74GA1J103J	CHIP-COM 10K J 1/16W	
CP11			RK74GA1J101J	CHIP-COM 100 J 1/16W	
CP12			RK74GA1J103J	CHIP-COM 10K J 1/16W	
CP13,14			RK74GA1J101J	CHIP-COM 100 J 1/16W	
CP15			RK74GA1J103J	CHIP-COM 10K J 1/16W	
CP17			RK74HB1J101J	CHIP-COM 100 J 1/16W	
CP18			RK74HB1J103J	CHIP-COM 10K J 1/16W	
CP19			RK74HB1J101J	CHIP-COM 100 J 1/16W	
CP20			RK74HB1J103J	CHIP-COM 10K J 1/16W	
CP24,25			RK74HB1J101J	CHIP-COM 100 J 1/16W	
CP26			RK74HB1J472J	CHIP-COM 4.7K J 1/16W	
CP27-33			RK74HB1J101J	CHIP-COM 100 J 1/16W	
CP34			RK74HB1J103J	CHIP-COM 10K J 1/16W	
CP35			RK74GA1J101J	CHIP-COM 100 J 1/16W	
R5			RK73GB2A431J	CHIP R 430 J 1/10W	
R6			RK73GB2A471J	CHIP R 470 J 1/10W	
R7			RK73GB2A121J	CHIP R 120 J 1/10W	
R8			RK73GB2A241J	CHIP R 240 J 1/10W	
R9-12			RK73GB2A103J	CHIP R 10K J 1/10W	

K : KDC-X979 E1 : KDC-PSW9527 E2 : KDC-W9027 M1 : KDC-9026R

△ Indicates safety critical components.

PARTS LIST

* New parts

Parts without **Parts No.** are not supplied.

Les articles non mentionnés dans le **Parts No.** ne sont pas fournis.

Teile ohne **Parts No.** werden nicht geliefert.

CD PLAYER UNIT (X32-5520-00)

Ref. No.	A d d	N e w	Parts No.	Description	Desti- nation
R14,15			RK73GB2A103J	CHIP R 10K J 1/10W	
R16			RK73GB2A302J	CHIP R 3.0K J 1/10W	
R17			RK73GB2A101J	CHIP R 100 J 1/10W	
R18			RK73GB2A102J	CHIP R 1.0K J 1/10W	
R19			RK73GB2A223J	CHIP R 22K J 1/10W	
R20			RK73GB2A203J	CHIP R 20K J 1/10W	
R21,22			RK73GB2A123J	CHIP R 12K J 1/10W	
R23			RK73GB2A103J	CHIP R 10K J 1/10W	
R26			RK73GB2A103J	CHIP R 10K J 1/10W	
R27			R92-3348-05	CHIP R 0.47 J 1/2W	
R28			RK73GB2A101J	CHIP R 100 J 1/10W	
R29			RK73GB2A472J	CHIP R 4.7K J 1/10W	
R32			RK73GB2A4R7J	CHIP R 4.7 J 1/10W	
R33			RK73GB2A104J	CHIP R 100K J 1/10W	
R34			RK73GB2A102J	CHIP R 1.0K J 1/10W	
R35			RK73GB2A333J	CHIP R 33K J 1/10W	
R36			RK73FB2B102J	CHIP R 1.0K J 1/8W	
R37			RK73GB2A472J	CHIP R 4.7K J 1/10W	
R39			RK73GB2A333J	CHIP R 33K J 1/10W	
R49,50			RK73GB2A302J	CHIP R 3.0K J 1/10W	
R52,53			RK73GB2A122J	CHIP R 1.2K J 1/10W	
R55			RK73GB2A333J	CHIP R 33K J 1/10W	
R56			RK73GB2A103J	CHIP R 10K J 1/10W	
R59			RK73GB2A101J	CHIP R 100 J 1/10W	
R60			RK73GB2A910J	CHIP R 91 J 1/10W	
R63			RK73GB2A101J	CHIP R 100 J 1/10W	
R67		*	RK73GH2A242D	CHIP R 2.4K D 1/10W	
R68		*	RK73GH2A102D	CHIP R 1.0K D 1/10W	
R69			RK73GB2A225J	CHIP R 2.2M J 1/10W	
R70			RK73GB2A103J	CHIP R 10K J 1/10W	
R71,72		*	RK73GH2A113D	CHIP R 11K D 1/10W	
R73,74			RK73GB2A303J	CHIP R 30K J 1/10W	
R75,76		*	RK73GH2A113D	CHIP R 11K D 1/10W	
R77,78			RK73GB2A331J	CHIP R 330 J 1/10W	
R79,80			RK73GB2A272J	CHIP R 2.7K J 1/10W	
R81,82			RK73GB2A752J	CHIP R 7.5K J 1/10W	
R83			RK73GB2A222J	CHIP R 2.2K J 1/10W	
S3			S68-0864-05	PUSH SWITCH	
S4		*	S68-0885-05	PUSH SWITCH	
S5			S68-0864-05	PUSH SWITCH	
D2,3			DAP202U	DIODE	
D4			DA227	DIODE	
D6			DAP202U	DIODE	
IC1		*	BD7931F	ANALOGUE IC	
IC2			XC6219B332MR	ANALOGUE IC	
IC4		*	BA033SFP	ANALOGUE IC	
IC5		*	703260YGCK01A	MICROCONTROLLER IC	
IC6		*	AN41204A	ANALOGUE IC	
IC7		*	UPD63761GJ	MOS-IC	
IC8		*	IC41LV16100S50	DRAM IC	
IC8			MSM51V18165F60	DRAM IC	
IC9			TAR5S33-F	ANALOGUE IC	
IC10			NJM4580V-LF	ANALOGUE IC	
Q1			DTA143XUA	DIGITAL TRANSISTOR	

Ref. No.	A d d	N e w	Parts No.	Description	Desti- nation
Q2		*	DTC143XUA	DIGITAL TRANSISTOR	
Q6			DTA143XUA	DIGITAL TRANSISTOR	
Q7		*	DTC143XUA	DIGITAL TRANSISTOR	
Q8			2SB0970	TRANSISTOR	
Q9		*	2SC2873-F	TRANSISTOR	
Q10			UMD9N	TRANSISTOR	
Q11			DTC114YUA	DIGITAL TRANSISTOR	
Q12			DTA143XUA	DIGITAL TRANSISTOR	
Q13		*	DTC143XUA	DIGITAL TRANSISTOR	
ELECTRIC UNIT (X34-3050-11/21, X34-3052-71/72)					
C2			CK73GB1H103K	CHIP C 0.010UF K	
C3		*	C90-5619-05	ELECTRO 220UF 16WV	
C4			CK73GB1H103K	CHIP C 0.010UF K	
C5			CD04AT1C100M	ELECTRO 10UF 16WV	
C6			CD04AT0J101M	ELECTRO 100UF 6.3WV	
C7			CK73FB1C105K	CHIP C 1.0UF K	
C8			CD04AT1A221M	ELECTRO 220UF 10WV	
C9			CD04AT1A101M	ELECTRO 100UF 10WV	
C10			CE32AZ1E221M	CHIP EL 220UF 25WV	
C11			CK73GB1H332K	CHIP C 3300PF K	
C12			CE32AZ1C221M	CHIP EL 220UF 16WV	
C13			CK73GB0J105K	CHIP C 1.0UF K	
C14			CK73EB1C225K	CHIP C 2.2UF K	
C15			CK73GB1H103K	CHIP C 0.010UF K	
C16			CE32AZ1C101M	CHIP EL 100UF 16WV	
C17			CK73GB1H103K	CHIP C 0.010UF K	
C18			CE32AZ1C101M	CHIP EL 100UF 16WV	
C19			CD04AT1A101M	ELECTRO 100UF 10WV	
C22			C93-1218-05	CHIP C 0.010UF K	
C23			C90-5375-05	CHIP EL 33UF 63WV	
C30			CD04AT1V4R7M	ELECTRO 4.7UF 35WV	
C31			C90-2962-05	ELECTRO 100UF 16WV	
C32-35			CK73EB1C225K	CHIP C 2.2UF K	
C36			CD04AS1C220M	ELECTRO 22UF 16WV	
C37			CK73GB1E223K	CHIP C 0.022UF K	
C37			CK73GB1H223K	CHIP C 0.022UF K	
C38			CK73GB1H103K	CHIP C 0.010UF K	
C39,40			CK73EB1C225K	CHIP C 2.2UF K	
C41			CK73GB1H103K	CHIP C 0.010UF K	
C42			CK73GB1E223K	CHIP C 0.022UF K	
C42			CK73GB1H223K	CHIP C 0.022UF K	
C43			CK73FB1C105K	CHIP C 1.0UF K	
C44,45			CK73GB1H103K	CHIP C 0.010UF K	
C46			CK73GB1H102K	CHIP C 1000PF K	
C47			CK73FB1C105K	CHIP C 1.0UF K	
C48,49			CK73GB1H103K	CHIP C 0.010UF K	
C100			C90-5626-05	ELECTRO 3900UF 16WV	
C101			CD04AS0J470M	ELECTRO 47UF 6.3WV	
C102			CC73GCH1H220J	CHIP C 22PF J	
C103			CC73GCH1H270J	CHIP C 27PF J	
C104			CK73GB0J105K	CHIP C 1.0UF K	
C106			CK73GB0J105K	CHIP C 1.0UF K	
C107			CK73GB1H103K	CHIP C 0.010UF K	
C109			CK73GB1H102K	CHIP C 1000PF K	
C110,111			CK73GB1H103K	CHIP C 0.010UF K	

PARTS LIST

* New parts

Parts without **Parts No.** are not supplied.

Les articles non mentionnés dans le **Parts No.** ne sont pas fournis.

Teile ohne **Parts No.** werden nicht geliefert.

ELECTRIC UNIT (X34-3050-11/21, X34-3052-71/72)

Ref. No.	A d d	N e w	Parts No.	Description	Desti- nation	Ref. No.	A d d	N e w	Parts No.	Description	Desti- nation
C199			CK73GB1C104K	CHIP C 0.10UF K		CN1			E41-0224-05	PIN ASSY	
C199			CK73GB1H104K	CHIP C 0.10UF K		CN2			E40-3237-05	PIN ASSY	
C201,202			CD04AT1V2R2M	ELECTRO 2.2UF 35WV		CN3			E41-0384-05	PIN ASSY	
C203,204			CK73FB1C474K	CHIP C 0.47UF K		CN4		*	E41-2096-05	FLAT CABLE CONNECTOR	
C205			CD04AS0J470M	ELECTRO 47UF 6.3WV		CN5			E40-9368-05	FLAT CABLE CONNECTOR	
C206			CD04AT0J470M	ELECTRO 47UF 6.3WV		CN6			E41-0399-05	FLAT CABLE CONNECTOR	
C207,208			CK73FB1C474K	CHIP C 0.47UF K		CN7			E41-0009-05	PIN ASSY	
C209,210		*	CD04AT1V3R3M	CHIP C 0.010UF K		CN8			E41-0166-05	FLAT CABLE CONNECTOR	
C211			CK73GB1A474K	CHIP C 0.47UF K		J1			E58-0863-15	RECTANGULAR RECEPTACLE	
C212			CC73GCH1H221J	CHIP C 220PF J		P1			E23-0745-05	TERMINAL	
C213			CK73GB1C104K	CHIP C 0.10UF K		W2			E30-6218-05	CORD WITH PLUG	
C213			CK73GB1H104K	CHIP C 0.10UF K		L1			L33-1170-05	CHOKO COIL ASSY	
C214			CK73GB1H103K	CHIP C 0.010UF K		L2			L33-1126-05	CHOKO COIL	
C215			CD04AT1C470M	ELECTRO 47UF 16WV		L3			L33-1029-05	SMALL FIXED INDUCTOR	
C218,219		*	CD04AX1C4R7M	ELECTRO 4.7UF 16WV		L4			L40-2205-34	SMALL FIXED INDUCTOR (22UH)	
C220,221			CK73FB1C105K	CHIP C 1.0UF K		L7			L33-1039-05	LINE FILTER COIL	
C242-245			CK73FB1C105K	CHIP C 1.0UF K	KM1E1	L101			L40-4795-34	SMALL FIXED INDUCTOR	
C242,243			CK73FB1C105K	CHIP C 1.0UF K	E2	L101			L40-4795-68	SMALL FIXED INDUCTOR (4.7UH)	
C245			CK73FB1C105K	CHIP C 1.0UF K	E2	L102			L92-0075-05	CHIP FERRITE	
C246			CK73GB1A105K	CHIP C 1.0UF K		L201			L40-4795-34	SMALL FIXED INDUCTOR	
C247			C90-5663-05	ELECTRO 1UF 50WV		L201			L40-4795-68	SMALL FIXED INDUCTOR (4.7UH)	
C250			CD04AT1V2R2M	ELECTRO 2.2UF 35WV		L303-307			L40-4795-34	SMALL FIXED INDUCTOR	
C264			CD04AT1C220M	ELECTRO 22UF 16WV		L303-307			L40-4795-68	SMALL FIXED INDUCTOR (4.7UH)	
C265			CD04AT1C220M	ELECTRO 22UF 16WV		X1			L78-0821-05	RESONATOR	
C266,267			CD04AT1C100M	ELECTRO 10UF 16WV		X2			L77-2738-05	CRYSTAL RESONATOR	
C268			CD04AT1C220M	ELECTRO 22UF 16WV		X3			L77-2002-05	CRYSTAL RESONATOR	
C269			CD04AT1C220M	ELECTRO 22UF 16WV		X	2D		N80-3008-46	PAN HEAD TAPTITE SCREW	
C270,271			CD04AT1C100M	ELECTRO 10UF 16WV		Y	2D		N83-3010-46	PAN HEAD TAPTITE SCREW	
C272-275			C90-5620-05	ELECTRO 0.47UF 50WV		Z	2D		N84-2004-46	PAN HEAD TAPTITE SCREW	
C276			CK73FB1C105K	CHIP C 1.0UF K		R1			RK73FB2B223J	CHIP R 22K J 1/8W	
C277		*	CD04AT1C330M	ELECTRO 33UF 16WV		R2			RK73GB2A101J	CHIP R 100 J 1/10W	
C278			C90-5663-05	ELECTRO 1UF 50WV		R3			RK73GB2A223J	CHIP R 22K J 1/10W	
C279			CK73FB1C105K	CHIP C 1.0UF K		R4			RK73GB2A222J	CHIP R 2.2K J 1/10W	
C280-283			CK73GB1H222K	CHIP C 2200PF K	E2	R5			RK73FB2B221J	CHIP R 220 J 1/8W	
C280-285			CK73GB1H222K	CHIP C 2200PF K	KM1E1	R6			RK73GB2A153J	CHIP R 15K J 1/10W	
C285			CK73GB1H222K	CHIP C 2200PF K	E2	R7			R92-3032-05	CHIP R 4.3K D 1/10W	
C286			CK73GB1H103K	CHIP C 0.010UF K		R8			R92-3047-05	CHIP R 24K D 1/10W	
C287-289			CK73FB1H104K	CHIP C 0.10UF K		R9			RK73FB2B152J	CHIP R 1.5K J 1/8W	
C290,291			CK73GB1H103K	CHIP C 0.010UF K		R10			R92-3022-05	METAL R 750 D 1/10W	
C292-296			CK73EB1A475K	CHIP C 4.7UF K		R11			R92-3029-05	METAL R 2.4K	
C297,298			CD04AT1C220M	ELECTRO 22UF 16WV	KM1E1	R12			RK73GB2A103J	CHIP R 10K J 1/10W	
C298			CD04AT1C220M	ELECTRO 22UF 16WV	E2	R13			R92-2104-05	CHIP R 2.2 J 1W	
C299,300			CD04AT1C100M	ELECTRO 10UF 16WV	KM1E1	R14			RK73FB2B751J	CHIP R 750 J 1/8W	
C300			CD04AT1C100M	ELECTRO 10UF 16WV	E2	R15			RK73GB2A473J	CHIP R 47K J 1/10W	
C303-305			CK73GB1H103K	CHIP C 0.010UF K		R17			RK73GB2A102J	CHIP R 1.0K J 1/10W	
C307			CK73GB1H103K	CHIP C 0.010UF K		R18			RK73GB2A750J	CHIP R 75 J 1/10W	
C309,310			CC73GCH1H100D	CHIP C 10PF D		R19			RK73GB2A272J	CHIP R 2.7K J 1/10W	
C311			CC73GCH1H331J	CHIP C 330PF J		R20			RK73GB2A470J	CHIP R 47 J 1/10W	
C312			CK73FB1A225K	CHIP C 2.2UF K		R21			RK73GB2A752J	CHIP R 7.5K J 1/10W	
C313			CK73GB1H103K	CHIP C 0.010UF K		R22			RK73GB2A274J	CHIP R 270K J 1/10W	
C314			CD04AT1C100M	ELECTRO 10UF 16WV		R23			RK73GB2A563J	CHIP R 56K J 1/10W	
C316-319			CK73GB1A224K	CHIP C 0.22UF K		R24			RK73GB2A470J	CHIP R 47 J 1/10W	
C503,504			CK73GB1H103K	CHIP C 0.010UF K		R25			RK73GB2A103J	CHIP R 10K J 1/10W	
C603			CK73GB1H103K	CHIP C 0.010UF K		R26,27			RK73GB2A913J	CHIP R 91K J 1/10W	
C701			CK73GB1A474K	CHIP C 0.47UF K							

K : KDC-X979 E1 : KDC-PSW9527 E2 : KDC-W9027 M1 : KDC-9026R

△ Indicates safety critical components.

PARTS LIST

* New parts

Parts without **Parts No.** are not supplied.

Les articles non mentionnés dans le **Parts No.** ne sont pas fournis.

Teile ohne **Parts No.** werden nicht geliefert.

ELECTRIC UNIT (X34-3050-11/21, X34-3052-71/72)

Ref. No.	A d d	N e w	Parts No.	Description	Desti- nation
R28			RK73FB2B472J	CHIP R 4.7K J 1/8W	
R29			RD14DB2H102J	SMALL-RD 1.0K J 1/2W	K
R30			RK73GB2A223J	CHIP R 22K J 1/10W	K
R31			RK73FB2B472J	CHIP R 4.7K J 1/8W	
R32			RK73FB2B561J	CHIP R 560 J 1/8W	
R33			RK73GB2A473J	CHIP R 47K J 1/10W	
R34			RK73GB2A223J	CHIP R 22K J 1/10W	
R35			RK73GB2A104J	CHIP R 100K J 1/10W	
R36			RK73FB2B103J	CHIP R 10K J 1/8W	
R37			RK73GB2A103J	CHIP R 10K J 1/10W	
R38			RK73GB2A822J	CHIP R 8.2K J 1/10W	
R41			RK73GB2A223J	CHIP R 22K J 1/10W	
R42			RD14DB2H332J	SMALL-RD 3.3K J 1/2W	
R43			RK73EB2E473J	CHIP R 47K J 1/4W	
R44			RK73GB2A183J	CHIP R 18K J 1/10W	
R45			RK73GB2A104J	CHIP R 100K J 1/10W	
R46,47			RK73EB2E103J	CHIP R 10K J 1/4W	
R48			RK73EB2E102J	CHIP R 1.0K J 1/4W	
R49			RD14DB2H102J	SMALL-RD 1.0K J 1/2W	K
R50			RK73GB2A683J	CHIP R 68K J 1/10W	
R51			RK73GB2A104J	CHIP R 100K J 1/10W	
R52			RK73GB2A101J	CHIP R 100 J 1/10W	
R53			RK73GB2A393J	CHIP R 39K J 1/10W	
R54			RK73GB2A103J	CHIP R 10K J 1/10W	
R55			RK73GB2A474J	CHIP R 470K J 1/10W	
R101			RK73GB2A223J	CHIP R 22K J 1/10W	
R102			RK73GB2A153J	CHIP R 15K J 1/10W	
R103			RK73GB2A104J	CHIP R 100K J 1/10W	
R106			RK73GB2A103J	CHIP R 10K J 1/10W	M1
R106,107			RK73GB2A103J	CHIP R 10K J 1/10W	E2
R107,108			RK73GB2A103J	CHIP R 10K J 1/10W	E1
R108,109			RK73GB2A103J	CHIP R 10K J 1/10W	K
R109			RK73GB2A103J	CHIP R 10K J 1/10W	M1
R110			RK73GB2A104J	CHIP R 100K J 1/10W	
R115,116			RK73GB2A102J	CHIP R 1.0K J 1/10W	
R118-120			RK73GB2A102J	CHIP R 1.0K J 1/10W	
R121			RK73GB2A222J	CHIP R 2.2K J 1/10W	
R122-126			RK73GB2A101J	CHIP R 100 J 1/10W	KE1E2
R122,123			RK73GB2A101J	CHIP R 100 J 1/10W	M1
R127			RK73GB2A102J	CHIP R 1.0K J 1/10W	
R128			RK73GB2A104J	CHIP R 100K J 1/10W	
R129			RK73GB2A102J	CHIP R 1.0K J 1/10W	
R130			RK73GB2A104J	CHIP R 100K J 1/10W	
R131			RK73GB2A102J	CHIP R 1.0K J 1/10W	
R132			RK73GB2A104J	CHIP R 100K J 1/10W	
R133-136			RK73GB2A222J	CHIP R 2.2K J 1/10W	
R137			RK73GB2A102J	CHIP R 1.0K J 1/10W	
R138-140			RK73GB2A222J	CHIP R 2.2K J 1/10W	
R141			RK73GB2A102J	CHIP R 1.0K J 1/10W	
R142,143			RK73GB2A222J	CHIP R 2.2K J 1/10W	
R144			RK73GB2A102J	CHIP R 1.0K J 1/10W	
R145			RK73GB2A103J	CHIP R 10K J 1/10W	
R148			RK73GB2A222J	CHIP R 2.2K J 1/10W	
R150,151			RK73GB2A104J	CHIP R 100K J 1/10W	
R152,153			RK73GB2A222J	CHIP R 2.2K J 1/10W	

Ref. No.	A d d	N e w	Parts No.	Description	Desti- nation
R156			RK73GB2A104J	CHIP R 100K J 1/10W	
R158			RK73GB2A104J	CHIP R 100K J 1/10W	
R159,160			RK73GB2A471J	CHIP R 470 J 1/10W	
R161			RK73GB2A104J	CHIP R 100K J 1/10W	
R163,164			RK73GB2A471J	CHIP R 470 J 1/10W	
R165,166			RK73GB2A472J	CHIP R 4.7K J 1/10W	
R167			RK73GB2A102J	CHIP R 1.0K J 1/10W	
R168			RK73GB2A223J	CHIP R 22K J 1/10W	
R170			RK73GB2A222J	CHIP R 2.2K J 1/10W	
R171,172			RK73GB2A471J	CHIP R 470 J 1/10W	
R173,174			RK73GB2A472J	CHIP R 4.7K J 1/10W	
R175			RK73GB2A333J	CHIP R 33K J 1/10W	
R176			RK73GB2A473J	CHIP R 47K J 1/10W	
R177			RK73GB2A222J	CHIP R 2.2K J 1/10W	
R178			RK73GB2A103J	CHIP R 10K J 1/10W	
R180			RK73GB2A222J	CHIP R 2.2K J 1/10W	
R181			RK73GB2A473J	CHIP R 47K J 1/10W	
R182			RK73GB2A104J	CHIP R 100K J 1/10W	
R183,184			RK73GB2A222J	CHIP R 2.2K J 1/10W	
R186			RK73GB2A102J	CHIP R 1.0K J 1/10W	
R188			RK73GB2A102J	CHIP R 1.0K J 1/10W	
R189-194			RK73GB2A101J	CHIP R 100 J 1/10W	
R195			RK73GB2A471J	CHIP R 470 J 1/10W	
R202			RK73GB2A272J	CHIP R 2.7K J 1/10W	
R203,204			RK73GB2A472J	CHIP R 4.7K J 1/10W	
R211			RK73GB2A102J	CHIP R 1.0K J 1/10W	
R216,217			RK73GB2A151J	CHIP R 150 J 1/10W	
R220,221			RK73FB2B361J	CHIP R 360 J 1/8W	
R222,223			RK73FB2B222J	CHIP R 2.2K J 1/8W	
R224,225			RK73FB2B103J	CHIP R 10K J 1/8W	
R226,227			RK73FB2B223J	CHIP R 22K J 1/8W	
R228,229			RK73FB2B820J	CHIP R 82 J 1/8W	
R232,233			RK73FB2B361J	CHIP R 360 J 1/8W	
R234,235			RK73FB2B222J	CHIP R 2.2K J 1/8W	
R236,237			RK73FB2B103J	CHIP R 10K J 1/8W	
R238,239			RK73FB2B223J	CHIP R 22K J 1/8W	
R240,241			RK73FB2B820J	CHIP R 82 J 1/8W	
R244,245			RK73FB2B361J	CHIP R 360 J 1/8W	KM1E1
R245			RK73FB2B361J	CHIP R 360 J 1/8W	E2
R246,247			RK73FB2B222J	CHIP R 2.2K J 1/8W	KM1E1
R247			RK73FB2B222J	CHIP R 2.2K J 1/8W	E2
R248,249			RK73FB2B103J	CHIP R 10K J 1/8W	KM1E1
R249			RK73FB2B103J	CHIP R 10K J 1/8W	E2
R250,251			RK73FB2B223J	CHIP R 22K J 1/8W	KM1E1
R251			RK73FB2B223J	CHIP R 22K J 1/8W	E2
R252,253			RK73FB2B820J	CHIP R 82 J 1/8W	KM1E1
R253			RK73FB2B820J	CHIP R 82 J 1/8W	E2
R256			RK73GB2A221J	CHIP R 220 J 1/10W	
R257			RK73GB2A223J	CHIP R 22K J 1/10W	
R258			RK73GB2A473J	CHIP R 47K J 1/10W	
R259			RK73GB2A432J	CHIP R 4.3K J 1/10W	
R260			RK73GB2A100J	CHIP R 10 J 1/10W	
R261			RK73GB2A752J	CHIP R 7.5K J 1/10W	
R262			RK73EB2E4R7J	CHIP R 4.7 J 1/4W	
R263,264			RK73EB2E100J	CHIP R 10 J 1/4W	

K : KDC-X979 E1 : KDC-PSW9527 E2 : KDC-W9027 M1 : KDC-9026R

△ Indicates safety critical components.

PARTS LIST

* New parts

Parts without **Parts No.** are not supplied.

Les articles non mentionnés dans le **Parts No.** ne sont pas fournis.

Teile ohne **Parts No.** werden nicht geliefert.

ELECTRIC UNIT (X34-3050-11/21, X34-3052-71/72)

Ref. No.	A d d	N e w	Parts No.	Description	Desti- nation	Ref. No.	A d d	N e w	Parts No.	Description	Desti- nation
R265,266			RK73GB2A102J	CHIP R 1.0K J 1/10W		D204,205			RD6.8M (B2)	ZENER DIODE	
R267			RK73EB2E100J	CHIP R 10 J 1/4W		D206			RD6.8MW	ZENER DIODE	
R268			RK73EB2E4R7J	CHIP R 4.7 J 1/4W		D207,208			DAP202U	DIODE	
R269			RK73EB2E100J	CHIP R 10 J 1/4W		D207,208	*		LM1MA142WA-G	DIODE	
R270			RK73GB2A473J	CHIP R 47K J 1/10W		D207,208			MA142WA	DIODE	
R271			RK73GB2A821J	CHIP R 820 J 1/10W		D209-216			S1J	DIODE	
R272,273			RK73GB2A103J	CHIP R 10K J 1/10W		D209-216			1SR154-400	DIODE	
R274			RK73GB2A104J	CHIP R 100K J 1/10W		D217			DA204K	DIODE	
R275			RK73GB2A473J	CHIP R 47K J 1/10W		D301			IMSA-6801	SURGE ABSORBER	
R276			RK73GB2A102J	CHIP R 1.0K J 1/10W		D501-505			STZ6.8N	ZENER DIODE	E1E2
R277			RK73GB2A473J	CHIP R 47K J 1/10W		D503-505			STZ6.8N	ZENER DIODE	KM1
R278			RK73GB2A333J	CHIP R 33K J 1/10W		D506-509			DA204K	DIODE	
R279,280			RK73GB2A334J	CHIP R 330K J 1/10W		D601			DA204K	DIODE	
R303			RK73FB2B102J	CHIP R 1.0K J 1/8W		IC1	*		703030YGCJ07-A	MICROCONTROLLER IC	
R304			RK73GB2A223J	CHIP R 22K J 1/10W		IC2			E-TDA7414	ANALOGUE IC	
R305			RK73GB2A102J	CHIP R 1.0K J 1/10W		IC3			M5237ML	ANALOGUE IC	
R306-308			RK73GB2A222J	CHIP R 2.2K J 1/10W		IC4			E-TDA7560A	ANALOGUE IC	
R501,502			RK73EB2E101J	CHIP R 100 J 1/4W		IC7			ICL7660SIBA	ANALOGUE IC	
R503-507			RK73EB2E472J	CHIP R 4.7K J 1/4W		IC8			S-80837CNNB	MOS-IC	
R508			RK73EB2E101J	CHIP R 100 J 1/4W		IC9			SN74HC02NSR	MOS-IC	
R509-511			RK73EB2E471J	CHIP R 470 J 1/4W	KE1E2	IC9			TC74HC02AF	MOS-IC	
R512			RK73EB2E102J	CHIP R 1.0K J 1/4W	KE1E2	IC10-13			NJM4565M-TE2	ANALOGUE IC	
R517,518			RK73EB2E100J	CHIP R 10 J 1/4W		IC14			TDA7479D	ANALOGUE IC	
R519			RK73EB2E471J	CHIP R 470 J 1/4W		IC15,16			LB1930M-E	ANALOGUE IC	
R520			RK73EB2E472J	CHIP R 4.7K J 1/4W		IC18			L9820D013TR	ANALOGUE IC	
R521-524			RK73GB2A222J	CHIP R 2.2K J 1/10W		IC19			LM2672M-ADJ	ANALOGUE IC	
R525			RK73GB2A102J	CHIP R 1.0K J 1/10W		IC20			TC7W02F	MOS-IC	
R526,527			RK73GB2A473J	CHIP R 47K J 1/10W		Q1			2SB1565 (E,F)	TRANSISTOR	
R615-618			RK73GB2A102J	CHIP R 1.0K J 1/10W		Q2			2SC4081	TRANSISTOR	
R620			RK73EB2E102J	CHIP R 1.0K J 1/4W		Q3			2SA1576A	TRANSISTOR	
W3			R92-1252-05	CHIP R 0 OHM J 1/16W	M1E1E2	Q4			DTA124EUA	DIGITAL TRANSISTOR	
W4,5			R92-2052-05	CHIP R 0 OHM J 1/10W	E2	Q4			UN5112	DIGITAL TRANSISTOR	
W6			R92-1252-05	CHIP R 0 OHM J 1/16W		Q5			DTC124EUA	DIGITAL TRANSISTOR	
D1			1N5393G-M5	DIODE		Q5			UN5212	DIGITAL TRANSISTOR	
D2			RB160L-40	DIODE		Q6			DTC144EUA	DIGITAL TRANSISTOR	
D3			UDZS5.6B	ZENER DIODE		Q6			UN5213	DIGITAL TRANSISTOR	
D4			UDZS8.2B	ZENER DIODE		Q7			DTA124EUA	DIGITAL TRANSISTOR	
D5			SFPB-54V	DIODE		Q7			UN5112	DIGITAL TRANSISTOR	
D6			UDZS10B	ZENER DIODE		Q8,9			2SB1565 (E,F)	TRANSISTOR	
D8			UDZS11B	ZENER DIODE		Q11			DTC124EE	DIGITAL TRANSISTOR	
D9			UDZS5.6B	ZENER DIODE		Q12			DTA124EE	DIGITAL TRANSISTOR	
D16			UDZS5.6B	ZENER DIODE		Q13			2SB1565 (E,F)	TRANSISTOR	
D17			UDZS4.7B	ZENER DIODE		Q14			2SC4081	TRANSISTOR	
D18			UDZS6.8B	ZENER DIODE		Q15			2SB1443	TRANSISTOR	
D19			UDZS6.2B	ZENER DIODE		Q16,17			2SC4081	TRANSISTOR	
D20,21			DAP202U	DIODE		Q18,19			2SA1576A	TRANSISTOR	
D20,21		*	LM1MA142WA-G	DIODE		Q20			2SC4081	TRANSISTOR	
D20,21			MA142WA	DIODE		Q21			2SA1576A	TRANSISTOR	
D22			UDZS6.8B	ZENER DIODE		Q22			2SC4081	TRANSISTOR	
D23			DAP202U	DIODE		Q23			DTC114YUA	DIGITAL TRANSISTOR	K
D23		*	LM1MA142WA-G	DIODE		Q23			UN5214	DIGITAL TRANSISTOR	K
D23			MA142WA	DIODE		Q24			2SB1240	TRANSISTOR	K
D201,202			RD6.8M (B2)	ZENER DIODE		Q25			DTA123JK	DIGITAL TRANSISTOR	
D203			RD6.8MW	ZENER DIODE		Q25			KRA105S	DIGITAL TRANSISTOR	
						Q26			DTC144EUA	DIGITAL TRANSISTOR	

K : KDC-X979 E1 : KDC-PSW9527 E2 : KDC-W9027 M1 : KDC-9026R

△ Indicates safety critical components.

PARTS LIST

* New parts

Parts without **Parts No.** are not supplied.

Les articles non mentionnés dans le **Parts No.** ne sont pas fournis.

Teile ohne **Parts No.** werden nicht geliefert.

ELECTRIC UNIT (X34-3050-11/21, X34-3052-71/72)

Ref. No.	A d d	N e w	Parts No.	Description	Desti- nation
Q26			UN5213	DIGITAL TRANSISTOR	
Q27			2SC4081	TRANSISTOR	
Q29			2SC4081	TRANSISTOR	
Q30,31			DTA124EUA	DIGITAL TRANSISTOR	
Q30,31			UN5112	DIGITAL TRANSISTOR	
Q32			2SC4081	TRANSISTOR	
Q33			2SA1576A	TRANSISTOR	
Q34			DTA124EUA	DIGITAL TRANSISTOR	
Q34			UN5112	DIGITAL TRANSISTOR	
Q201			DTC143TUA	DIGITAL TRANSISTOR	
Q201			UN5216	DIGITAL TRANSISTOR	
Q202			DTC124EUA	DIGITAL TRANSISTOR	
Q202			UN5212	DIGITAL TRANSISTOR	
Q203-207			DTC143TUA	DIGITAL TRANSISTOR	E2
Q203-207			UN5216	DIGITAL TRANSISTOR	E2
Q203-208			DTC143TUA	DIGITAL TRANSISTOR	KM1E1
Q203-208			UN5216	DIGITAL TRANSISTOR	KM1E1
Q210			2SC4081	TRANSISTOR	
Q303			DTC124EUA	DIGITAL TRANSISTOR	
Q303			UN5212	DIGITAL TRANSISTOR	
Q304			2SB1188 (Q, R)	TRANSISTOR	
Q601			DTC124EUA	DIGITAL TRANSISTOR	
Q601			UN5212	DIGITAL TRANSISTOR	
Q602			2SC4081	TRANSISTOR	
TH1			PTH9C42BD471Q	POSITIVE RESISTOR	
A2		*	W02-3456-05	ELECTRIC CIRCUIT MODULE	
A1			X86-3730-11	FRONT-END UNIT	K
A1			X86-3732-70	FRONT-END UNIT	M1E1E2
ELECTRIC UNIT (X34-3060-10, X34-3062-71)					
C1,2			CD04AT1C220M	ELECTRO 22UF 16WV	
C3,4			CK73GB1H152K	CHIP C 1500PF K	
C21-24			CD04AT1C220M	ELECTRO 22UF 16WV	
C25,26			CK73GB1H392K	CHIP C 3900PF K	
C27-30			CK73GB1H102K	CHIP C 1000PF K	
C31-34			CD04AT1C220M	ELECTRO 22UF 16WV	
C35,36			CK73GB1H392K	CHIP C 3900PF K	
C37-40			CK73GB1H102K	CHIP C 1000PF K	
C41-44			CD04AT1C220M	ELECTRO 22UF 16WV	KM1E1
C42			CD04AT1C220M	ELECTRO 22UF 16WV	E2
C44			CD04AT1C220M	ELECTRO 22UF 16WV	E2
C45,46			CK73GB1H392K	CHIP C 3900PF K	KM1E1
C46			CK73GB1H392K	CHIP C 3900PF K	E2
C47-50			CK73GB1H102K	CHIP C 1000PF K	KM1E1
C48			CK73GB1H102K	CHIP C 1000PF K	E2
C50			CK73GB1H102K	CHIP C 1000PF K	E2
C111-116			CK73GB1H103K	CHIP C 0.010UF K	E2
C111-118			CK73GB1H103K	CHIP C 0.010UF K	KM1E1
C121,122			CD04AT1C100M	ELECTRO 10UF 16WV	
C123			CD04AT1C220M	ELECTRO 22UF 16WV	
C124			CK73GB1H103K	CHIP C 0.010UF K	
C126			CK73GB1H103K	CHIP C 0.010UF K	
C127,128			CD04AT1C100M	ELECTRO 10UF 16WV	
C131			CK73GB1H103K	CHIP C 0.010UF K	
C141			CD04AT1C101M	ELECTRO 100UF 16WV	

Ref. No.	A d d	N e w	Parts No.	Description	Desti- nation
C142			CK73GB1H103K	CHIP C 0.010UF K	
C143			C90-5680-05	CHPEL 100UF 16WV	
C144			CK73GB1H103K	CHIP C 0.010UF K	
C145,146			CC73GCH1H180J	CHIP C 18PF J	
C147-150			CK73GB1H103K	CHIP C 0.010UF K	
C151			CK73GB1C104K	CHIP C 0.10UF K	
C151			CK73GB1H104K	CHIP C 0.10UF K	
C152			CD04AT1C100M	ELECTRO 10UF 16WV	
C153			CK73GB1H103K	CHIP C 0.010UF K	
C154			CK73GB1C104K	CHIP C 0.10UF K	
C154			CK73GB1H104K	CHIP C 0.10UF K	
C155			CD04AT1C100M	ELECTRO 10UF 16WV	
C156			CK73GB1H682K	CHIP C 6800PF K	
C161		*	CD04AT1H2R2M	ELECTRO 2.2UF 50WV	
C162,163			CK73GB1H103K	CHIP C 0.010UF K	
C171			CK73GB1H103K	CHIP C 0.010UF K	
C172			C92-0628-05	CHIP-TAN 10UF 10WV	
C173			CK73GB1H103K	CHIP C 0.010UF K	
C174			C92-0628-05	CHIP-TAN 10UF 10WV	
C181,182			CD04AT1C220M	ELECTRO 22UF 16WV	
CN1			E41-0166-05	FLAT CABLE CONNECTOR	
L1-8			L92-0332-05	CHIP FERRITE	
L9			L40-2205-34	SMALL FIXED INDUCTOR(22UH)	
L10,11			L40-1005-68	SMALL FIXED INDUCTOR	
X1			L77-2776-05	CRYSTAL RESONATOR	
R1-8		*	RK73GH2A103D	CHIP R 10K D 1/10W	
R9-12		*	RK73GH2A241D	CHIP R 240 D 1/10W	
R13-20		*	RK73GH2A471D	CHIP R 470 D 1/10W	
R31-34		*	RK73GH2A272D	CHIP R 2.7K D 1/10W	
R35,36			RK73GH2A432D	CHIP R 4.3K D 1/10W	
R37,38			RK73GH2A681D	CHIP R 680 D 1/10W	
R39,40			RK73GH2A432D	CHIP R 4.3K D 1/10W	
R41,42			RK73GH2A681D	CHIP R 680 D 1/10W	
R45-48		*	RK73GH2A272D	CHIP R 2.7K D 1/10W	
R49,50			RK73GH2A432D	CHIP R 4.3K D 1/10W	
R51,52			RK73GH2A681D	CHIP R 680 D 1/10W	
R53,54			RK73GH2A432D	CHIP R 4.3K D 1/10W	
R55,56			RK73GH2A681D	CHIP R 680 D 1/10W	
R57,58			RK73GB2A151J	CHIP R 150 J 1/10W	
R59,60		*	RK73GH2A272D	CHIP R 2.7K D 1/10W	KM1E1
R62			RK73GH2A681D	CHIP R 680 D 1/10W	KM1E1
R63,64			RK73GH2A432D	CHIP R 4.3K D 1/10W	KM1E1
R65			RK73GH2A681D	CHIP R 680 D 1/10W	KM1E1
R66			RK73GB2A151J	CHIP R 150 J 1/10W	KM1E1
R67,68		*	RK73GH2A272D	CHIP R 2.7K D 1/10W	
R69			RK73GH2A681D	CHIP R 680 D 1/10W	
R70,71			RK73GH2A432D	CHIP R 4.3K D 1/10W	
R72			RK73GH2A681D	CHIP R 680 D 1/10W	
R73			RK73GB2A103J	CHIP R 10K J 1/10W	E2
R76-79			RK73GB2A103J	CHIP R 10K J 1/10W	
R80			RK73GB2A151J	CHIP R 150 J 1/10W	
R81-84			RK73GB2A103J	CHIP R 10K J 1/10W	KM1E1
R87,88			RK73GB2A103J	CHIP R 10K J 1/10W	KM1E1
R89,90			RK73GB2A151J	CHIP R 150 J 1/10W	KM1E1

K : KDC-X979 E1 : KDC-PSW9527 E2 : KDC-W9027 M1 : KDC-9026R

△ Indicates safety critical components.

PARTS LIST

* New parts

Parts without **Parts No.** are not supplied.

Les articles non mentionnés dans le **Parts No.** ne sont pas fournis.

Teile ohne **Parts No.** werden nicht geliefert.

ELECTRIC UNIT (X34-3060-10, X34-3062-71)

Ref. No.	A d d	N e w	Parts No.	Description	Desti- nation
R91,92			RK73GB2A151J	CHIP R 150 J 1/10W	E2
R112			RK73GB2A272J	CHIP R 2.7K J 1/10W	
R113		*	RK73FB2B132J	CHIP R 1.3K J 1/8W	
R114			RK73FB2B391J	CHIP R 390 J 1/8W	
R121-126			RK73GB2A101J	CHIP R 100 J 1/10W	
R127			RK73GB2A102J	CHIP R 1.0K J 1/10W	
R155			RK73GB2A102J	CHIP R 1.0K J 1/10W	
R156			RK73GB2A105J	CHIP R 1.0M J 1/10W	
R157			RK73GB2A562J	CHIP R 5.6K J 1/10W	
R158-163			RK73GB2A100J	CHIP R 10 J 1/10W	E2
R158-165			RK73GB2A100J	CHIP R 10 J 1/10W	KM1E1
R166-168			RK73GB2A2R2J	CHIP R 2.2 J 1/10W	
R171,172			RK73GB2A2R2J	CHIP R 2.2 J 1/10W	
W3,4			R92-1252-05	CHIP R 0 OHM J 1/16W	E2
D1			HZ6C2L	ZENER DIODE	
D2			DA204U	DIODE	
IC1-6			NJM4580M1	ANALOGUE IC	
IC7			TC9214AF	MOS-IC	KM1E1
IC8,9			NJM4580M1	ANALOGUE IC	KM1E1
IC9			NJM4580M1	ANALOGUE IC	E2
IC10		*	AK7720AVT	MOS-IC	
IC11		*	IC63LV102415TG	SRAM IC	
IC12			TC74HC4050AFT	MOS-IC	
IC13,14		*	S-816A34AMCT2G	ANALOGUE IC	
Q1,2			2SB1188 (Q, R)	TRANSISTOR	
CD MECHANISM (X92-4780-00)					
1	1B	*	A10-5084-01	CHASSIS	
2	2B	*	A10-5102-01	CHASSIS INJECTION MOLD	
4	1B	*	D10-4763-02	ARM	
5	1B	*	D10-4764-03	ARM	
6	2A	*	D10-4765-03	LEVER ASSY	
7	2B	*	D10-4768-02	SLIDER	
8	2B	*	D10-4769-03	SLIDER	
9	2A	*	D10-4771-02	SLIDER	
10	2A	*	D10-4772-03	SLIDER	
11	2A	*	D10-4773-03	SLIDER	
12	2B	*	D10-4774-03	LEVER	
13	2B	*	D10-4776-03	ARM	
14	3A	*	D10-4795-03	ARM	
15	2B	*	D10-4804-03	ARM	
21	2B	*	D13-2298-04	GEAR	
22	2B	*	D13-2299-04	GEAR	
23	3B	*	D13-2303-04	GEAR	
24	3B	*	D13-2305-04	GEAR	
25	3B	*	D13-2306-04	GEAR	
26	2A	*	D13-2308-04	GEAR	
27	2A	*	D13-2309-04	GEAR	
28	3B	*	D13-2316-04	GEAR ASSY	
30	2A	*	D14-0788-04	ROLLER	
33	3A	*	D21-2433-04	SHAFT	
37	1A	*	D39-0259-05	DAMPER	
39	3B	*	E39-0556-05	LEAD WIRE	
FC1	3A	*	E39-0602-05	FLAT CABLE	

Ref. No.	A d d	N e w	Parts No.	Description	Desti- nation
41	2B	*	F07-1132-04	COVER	
42	3B	*	F07-1133-03	COVER	
43	3B	*	F09-1869-04	SHEET	
44	3A	*	F09-1870-04	SHEET	
45	2B	*	G01-3192-04	EXTENSION SPRING	
46	2B	*	G01-3194-04	EXTENSION SPRING	
47	1A	*	G01-3195-04	EXTENSION SPRING	
48	2A	*	G01-3206-04	TORSION COIL SPRING	
49	2A	*	G01-3207-04	TORSION COIL SPRING	
50	2B	*	G01-3208-04	TORSION COIL SPRING	
52	2B	*	G02-1465-03	FLAT SPRING	
53	1B	*	G02-1466-04	FLAT SPRING	
54	3A	*	G02-1467-04	FLAT SPRING	
55	3A	*	G02-1473-04	FLAT SPRING	
56	3B	*	G02-1488-04	FLAT SPRING	
57	2B	*	J11-0654-03	CLAMPER	
59	1A	*	J22-0042-02	MOUNTING HARDWARE	
60	1B	*	J22-0043-02	MOUNTING HARDWARE	
61	3B	*	J22-0044-03	MOUNTING HARDWARE	
62	1A	*	J22-0103-03	MOUNTING HARDWARE ASSY	
63	3B	*	J22-0177-04	MOUNTING HARDWARE	
64	2A	*	J90-1066-01	GUIDE	
65	1A	*	J90-1067-03	GUIDE	
66	2A	*	J90-1087-02	GUIDE	
67	2B	*	J90-1088-02	GUIDE	
A	2A	*	N09-6143-05	MACHINE SCREW	
B	1A	*	N09-6144-05	MACHINE SCREW	
C	3A	*	N09-6145-05	MACHINE SCREW	
D	3B	*	N09-6156-05	MACHINE SCREW (M1.4X1.6/#0#2)	
E	1B	*	N09-6230-05	MACHINE SCREW	
F	2A	*	N19-2192-04	FLAT WASHER	
DM1	3B	*	T42-1083-05	MOTOR ASSY (SPINDLE)	
DM2	3A	*	T42-1084-05	MOTOR ASSY (FEED)	
DM3	3B	*	T42-1096-04	MOTOR ASSY (LOADING)	
DPC1	3A	*	X93-2100-00	OPTICAL PICKUP ASSY	

K : KDC-X979 E1 : KDC-PSW9527 E2 : KDC-W9027 M1 : KDC-9026R

△ Indicates safety critical components.

SPECIFICATIONS

KDC-PSW9527/W9027/9026R

FM
Frequency Range (Frequency step) 87.5MHz~108.0MHz (50kHz)
Usable Sensitivity (S/N 26dB) 0.7 μ V/75 Ω
Quieting Sensitivity (S/N 46dB) 1.6 μ V/75 Ω
Frequency Response (\pm 3.0dB) 30Hz~15kHz
S/N 65dB (MONO)
Selectivity (DIN) \geq 80dB (\pm 400kHz)
Stereo Separation 35dB (1kHz)

MW
Frequency Range (Frequency step) 531kHz~1611kHz (9kHz)
Usable Sensitivity (S/N 20dB) 25 μ V

LW
Frequency Range 153kHz~281kHz
Usable Sensitivity (S/N 20dB) 45 μ V

CD
Laser Diode GaAlAs
Digital Filter (D/A) 8 Times OverSampling
D/A Converter 1 Bit
Spindle Speed (CD-DA/MP3/WMA) 1000~400rpm (CLV 2 times)
Wow & Flutter Below Mesurable Limit
Frequency Response 10Hz~20kHz (\pm 1dB)
Total Harmonic Distortion 0.01% (1kHz)
S/N Ratio 105dB (1kHz)
Dynamic Range 93dB
Channel Separation 95dB
MP3 Decode Compliant with MPEG-1/2 Audio Layer-3
WMA Decode Compliant with Windows Media Audio

Preout Level/Load-Unbalanced 5000mV/10k Ω (CD/CD-CH)
Preout Impedance 80 Ω

AUX Input
Frequency Response 20Hz~20kHz (\pm 1dB)
Input Maximum Voltage 1200mV
Input Impedance 100k Ω

AMP
Maximum Power 50W x 4
KDC-PSW9527/W9027 : PWR DIN45324, +B=14.4V 30W x 4
KDC-9026R : Full Bandwidth Power (at less than 1%THD) 22W x 4

TONE
Bass 60Hz~400Hz \pm 9dB
Middle 500Hz~3.15kHz \pm 9dB
Treble 4kHz~16kHz \pm 9dB

GENERAL
Operating voltage (11~16V allowable) 14.4V
Current Consumption 10A
Installation Size (W x H x D) 182 x 53 x 163 mm
Weight 2.1kg

KDC-X979

FM
Frequency Range (Frequency step) .. 87.9MHz~107.9MHz (200kHz)
Channel Space Selection 50k/200kHz
Usable Sensitivity (S/N 30dB) 9.3dBf (0.8 μ V/75 Ω)
Quieting Sensitivity (S/N 50dB) 15.2dBf (1.6 μ V/75 Ω)
Frequency Response (\pm 3.0dB) 30Hz~15kHz
S/N 70dB (MONO)
Selectivity (DIN) \geq 80dB (\pm 400kHz)
Stereo Separation 40dB (1kHz)

AM
Frequency Range (Frequency step) 530kHz~1700kHz (10kHz)
Channel Space Selection 9k/10kHz
Usable Sensitivity (S/N 20dB) 28dB μ (25 μ V)

CD
Laser Diode GaAlAs
Digital Filter (D/A) 8 Times OverSampling
D/A Converter 1 Bit
Spindle Speed (CD-DA/MP3/WMA) 1000~400rpm (CLV 2 times)
Wow & Flutter Below Mesurable Limit
Frequency Response 10Hz~20kHz (\pm 1dB)
Total Harmonic Distortion 0.008% (1kHz)
S/N Ratio 110dB (1kHz)
Dynamic Range 93dB
Channel Separation 95dB
MP3 Decode Compliant with MPEG-1/2 Audio Layer-3
WMA Decode Compliant with Windows Media Audio

Preout Level/Load-Unbalanced 5000mV/10k Ω (CD/CD-CH)
Preout Impedance 80 Ω

AUX Input
Frequency Response 20Hz~20kHz (\pm 1dB)
Input Maximum Voltage 1200mV
Input Impedance 100k Ω

AMP
Maximum Power 50W x 4
Full Bandwidth Power (at less than 1% THD) 22W x 4

TONE
Bass 60Hz~400Hz \pm 9dB
Middle 500Hz~3.15kHz \pm 9dB
Treble 4kHz~16kHz \pm 9dB

GENERAL
Operating voltage (11~16V allowable) 14.4V
Current Consumption 10A
Installation Size (W x H x D) 182 x 53 x 163 mm
Weight 7-3/16 x 2-1/16 x 6-7/16 in
Weight 2.1kg (4.63lbs)

KENWOOD follows a policy of continuous advancements in development. For this reason specifications may be changed without notice.

Manufactured under license from Dolby Laboratories.
"Dolby", "Pro Logic", and the double-D symbol are trademarks of Dolby Laboratories.

KENWOOD CORPORATION

2967-3, Ishikawa-machi, Hachioji-shi, Tokyo, 192-8525 Japan

KENWOOD USA CORPORATION
P.O. Box 22745, 2201 East Dominguez Street, Long Beach, CA 90801-5745, U.S.A.

KENWOOD ELECTRONICS CANADA INC.
6070 Kestrel Road, Mississauga, Ontario, Canada L5T 1S8

KENWOOD ELECTRONICS LATIN AMERICA S.A.
P.O. Box 55-2791 Paillita, Plaza Credicorp Bank Panama,
Piso 9, Oficina 901, Calle 50, Panama, Rep. de Panama

KENWOOD ELECTRONICS BRASIL LTDA.
Alameda Ministro Rocha Azevedo No. 456,
Edifício Jaú, 10o Andar, Cerqueira César, Cep 0140-001,
São Paulo-SP-Brasil

KENWOOD ELECTRONICS UK LIMITED
Kenwood House, Dwight Road, Watford, Herts, WD18 9EB, United Kingdom

KENWOOD ELECTRONICS DEUTSCHLAND GMBH
Rembrücker-Str. 15, 63150 Heusenstamm, Germany

KENWOOD ELECTRONICS FRANCE S.A.
13, Boulevard Ney, 75018 Paris, France

KENWOOD ELECTRONICS BELGIUM N.V.
Leuvensesteenweg 248 J, 1800 Vilvoorde, Belgium

KENWOOD ELECTRONICS ITALIA S.p.A.
Via G. Sirtori 7/9, 20129 Milano, Italy

KENWOOD IBÉRICA S.A.
Bolivia, 239-08020 Barcelona, Spain

KENWOOD ELECTRONICS AUSTRALIA PTY. LTD. (A.C.N. 001 499 074)
16 Giffnock Avenue, Centrecourt Estate, North Ryde,
N.S.W. 2113, Australia

KENWOOD ELECTRONICS (HONG KONG) LTD.
Unit 3712-3724, Level 37, Tower 1, Metroplaza, 223 Hing Fong Road, Kwai Fong, N.T.,
Hong Kong

KENWOOD ELECTRONICS GULF FZE
P.O. Box 61318, Jebel Ali, Dubai, U.A.E.

KENWOOD ELECTRONICS (THAILAND) CO., LTD.
956 Udom Vidhya Building (Olympia) Rama IV Road, Silom, Bangkok 10500 Thailand

KENWOOD ELECTRONICS SINGAPORE PTE. LTD.
1 Genting Lane, #07-00, Kenwood Building, Singapore, 349544

KENWOOD ELECTRONICS (MALAYSIA) SDN BHD
#4.01 Level 4, Wisma Academy Lot 4A, Jalan 19/1, 46300 Petaling Jaya, Selangor Darul Ehsan,
Malaysia